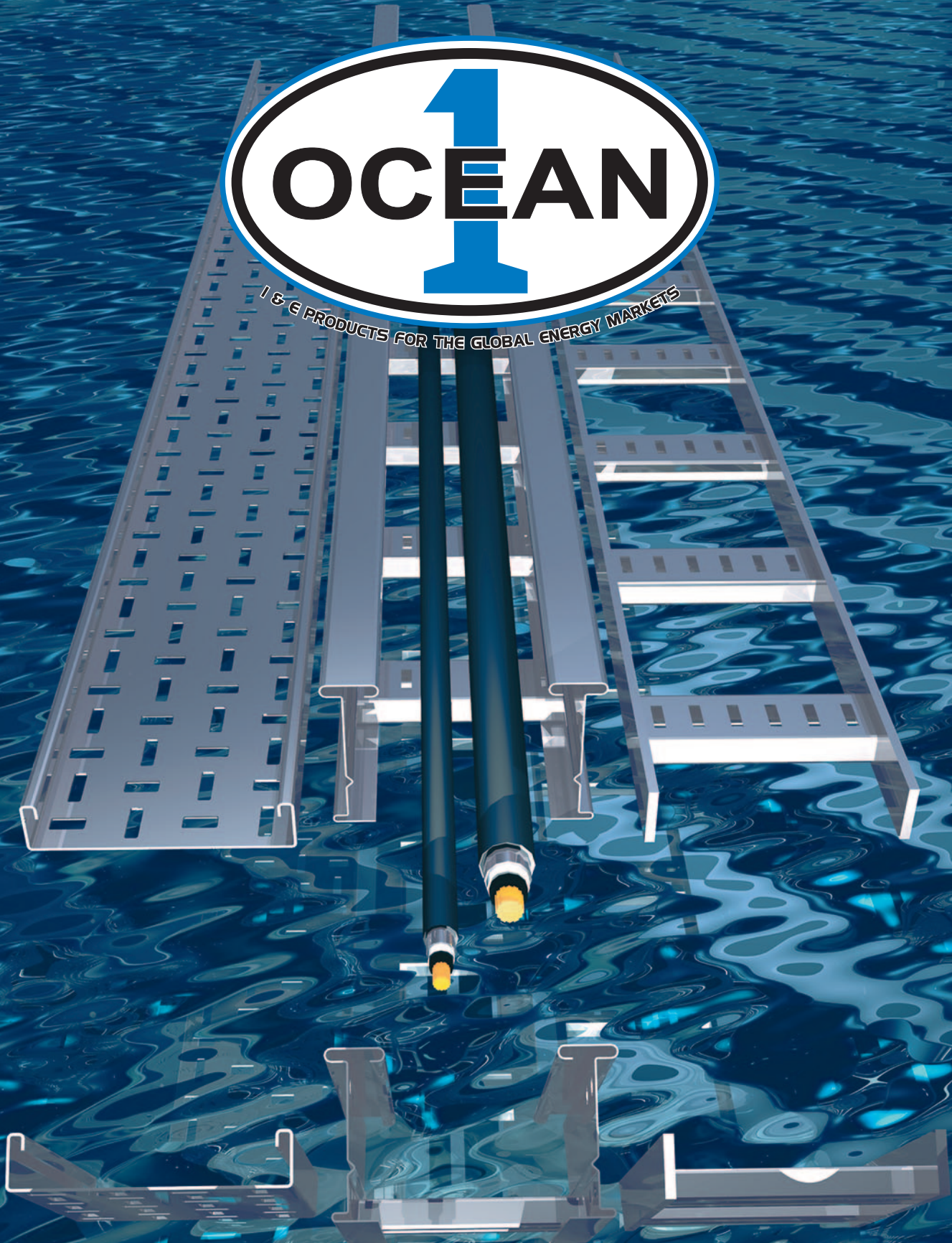




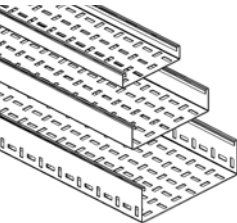
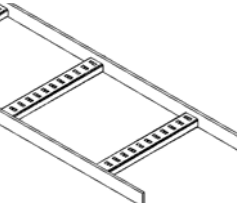
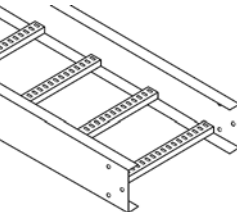
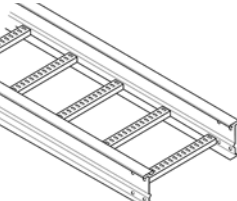
I & E PRODUCTS FOR THE GLOBAL ENERGY MARKETS



FLATBAR LADDER TRAY

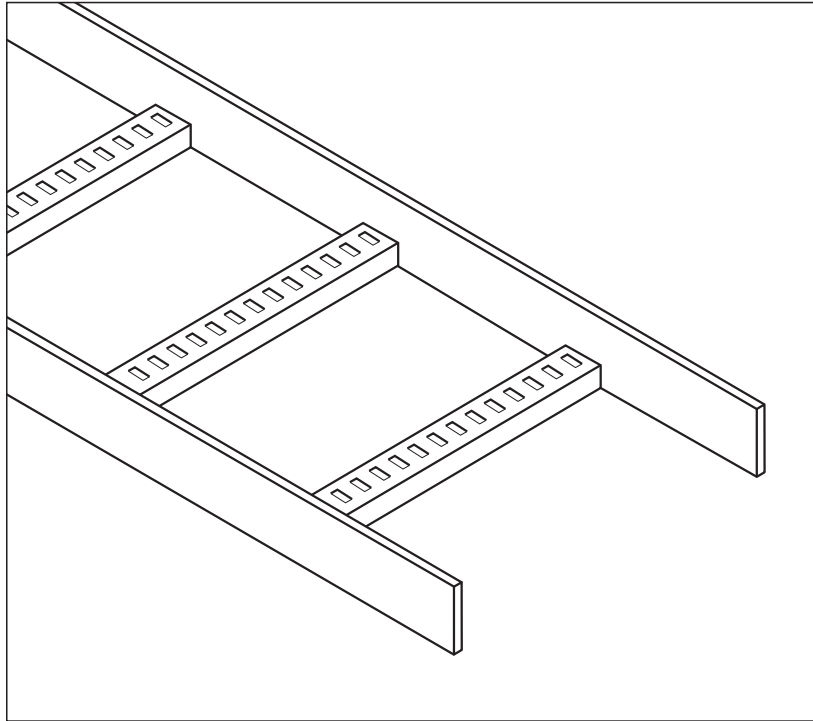


MARINE & OFFSHORE CABLE TRAY SYSTEMS

Section	Page
	Marine Channel 2
	Flatbar Ladder Tray 35
	C-Rail Leg-In Ladder Tray 46
	I-Beam Ladder Tray 67

Important notice: "The information contained within this catalog is for ILLUSTRATION PURPOSES ONLY. Product and use specifications and engineering data are not provided in this catalog, but are available upon request. Product application and fitness for particular purpose is determined solely by the customer and its engineering department and consultants. All product designs, dimensions, specifications, tolerances, performance, and similar characteristics are subject to change without notice."

Flatbar Ladder Tray



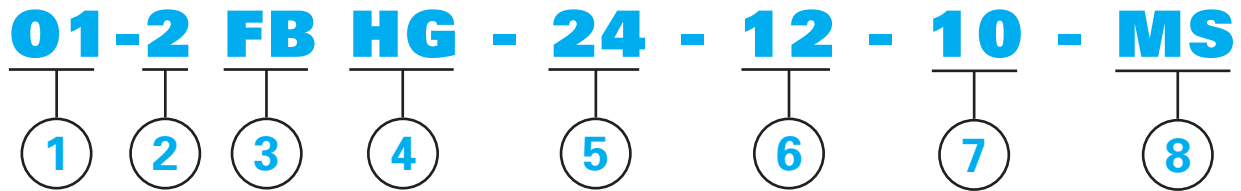
Available in the following material finishes:

Hot Dipped Galvanized
Stainless Steel



Cable Tray Part Numbering System

Example Part No.: **O1-2FBHG-24-12-10-MS**



1 **Product Code**
O1 Ocean-1

5 **Width**
06 = 6"
09 = 9"
12 = 12"
18 = 18"
24 = 24"
30 = 30"
36 = 36"

2 **Side Rail Height**
1.5 = 1-1/2" Flatbar
2 = 2" Flatbar (Std. Stocked Rail Height)
3 = 3" Flatbar

6 **Rung Space**
06 = 6"
09 = 9"
12 = 12" (Std. Stocked Rung Space)
15 = 15"

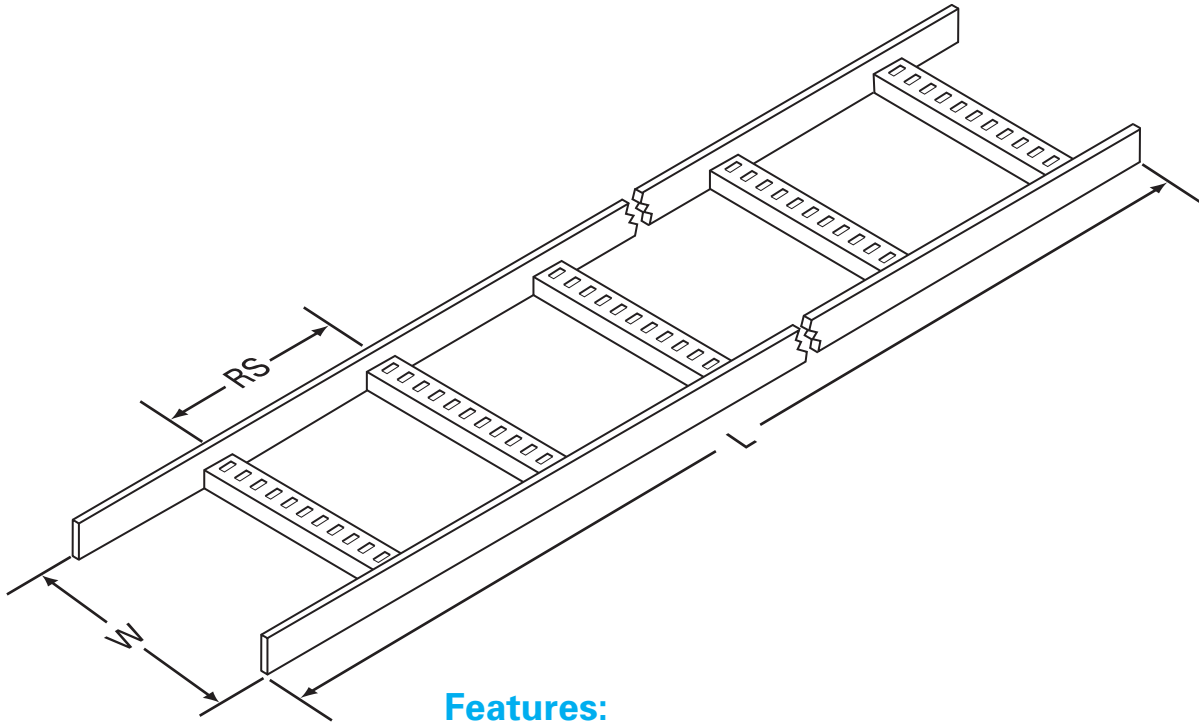
3 **Side Rail Type**
FB Flatbar

7 **Length**
10 = 10' Hot Dipped Galvanized
12 = 12' Stainless Steel

4 **Material/Finish**
HG Hot Dipped Galvanized
S6 316 Stainless Steel

8 **Rung Type**
MS Marine Slotted

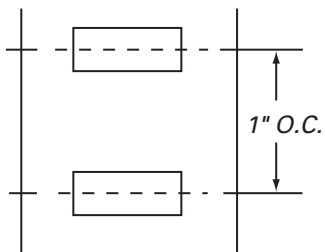
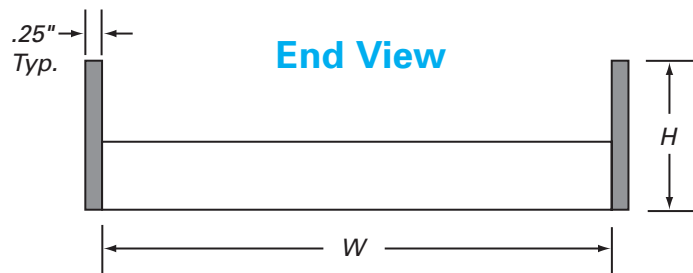
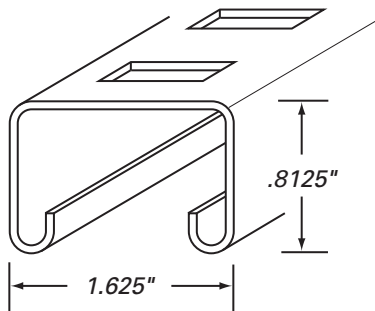
Flatbar Siderail Ladder Cable Tray



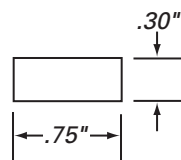
Features:

1. Siderail offers a low profile for tight spaces.
2. Perforations in rungs accept 5/8" coated banding for securing cables.
3. Full Strut Rung.
4. Galvanized Straight Sections supplied in 10' lengths. Stainless Steel Straight Sections supplied in 12' lengths.

Rung Detail



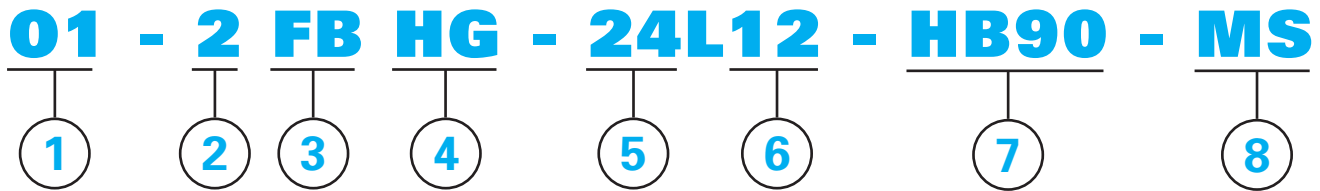
Slot Size





Cable Tray Fitting Part Numbering System

Example Part No.: **O1-2FBHG-24L12-HB90-MS**



1 **Product Code**
O1 Ocean-1

5 **Width**
06 = 6"
09 = 9"
12 = 12"
18 = 18"
24 = 24"
30 = 30"
36 = 36"

2 **Side Rail Height**
1.5 = 1-1/2" Flatbar
2 = 2" Flatbar (Standard Stocked)
3 = 3" Flatbar

6 **Radius**
12 = 12"
24 = 24"

3 **Side Rail Type**
FB Flatbar

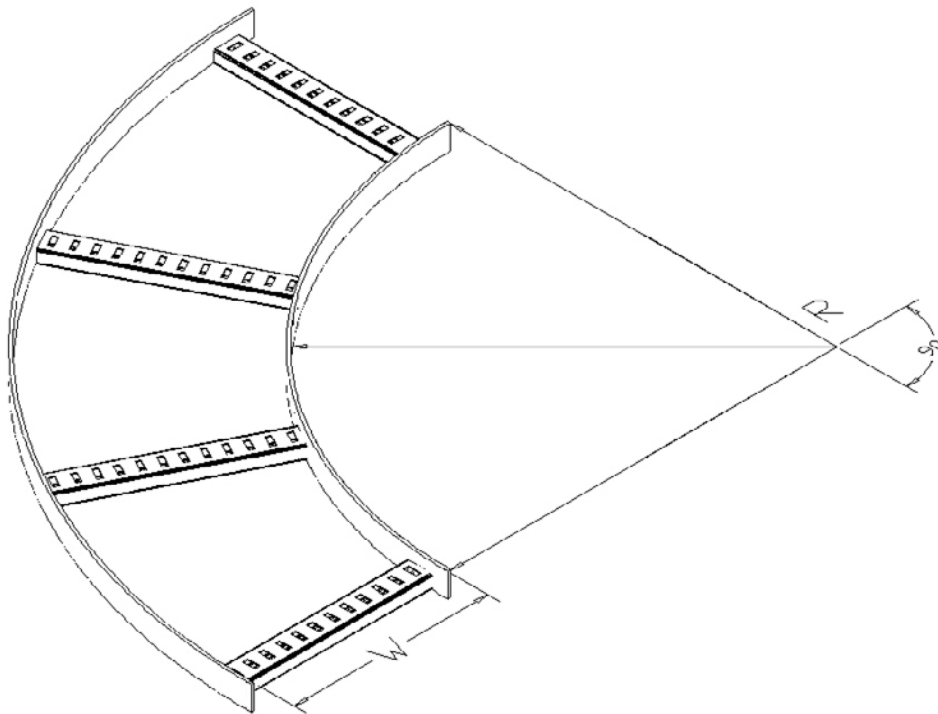
7 **Fitting Type**
HB Horizontal Bend - 30° 45° 60° 90°
VO Vertical Outside - 30° 45° 60° 90°
VI Vertical Inside - 30° 45° 60° 90°
HT Horizontal Tee
HC Horizontal Cross
SR Straight Reducers
RR Right Hand Reducers

4 **Material/Finish**
HG Hot Dipped Galvanized
S6 316 Stainless Steel

8 **Rung Type**
MS Marine Slotted

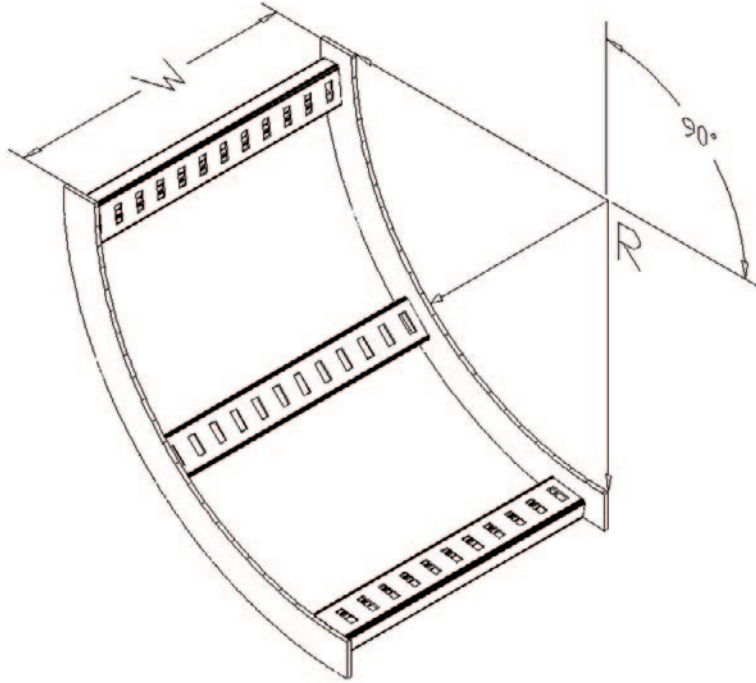
Flatbar Siderail 90 Degree Horizontal Bend

Example Part No.: O1-2FBHG-12L12-HB90-MS



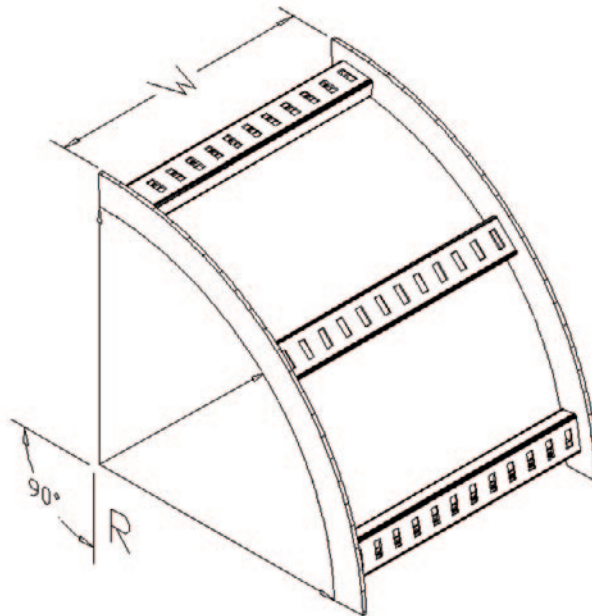
Flatbar Siderail 90 Degree Vertical Inside

Example Part No.: O1-2FBHG-12L12-VI90-MS



Flatbar Siderail 90 Degree Vertical Outside

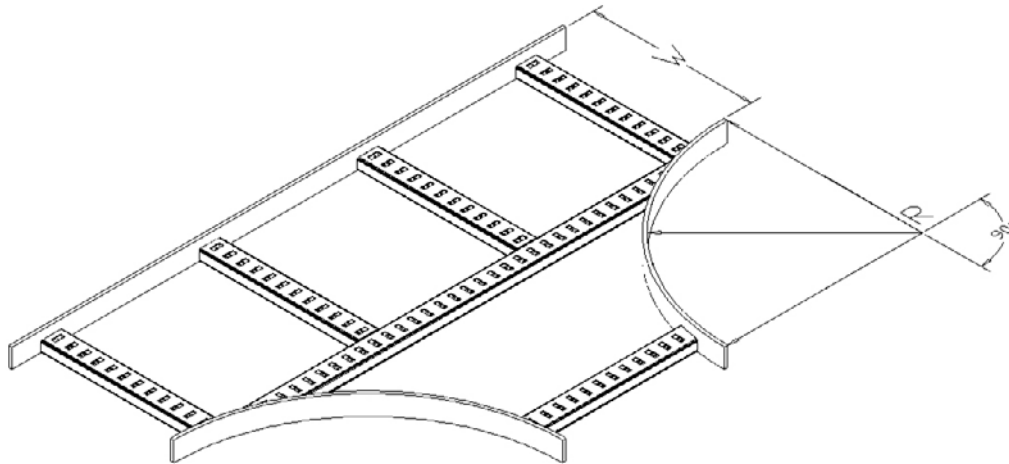
Example Part No.: O1-2FBHG-12L12-VO90-MS



Flatbar Siderail Horizontal Equal Tee & Unequal Tee

Equal Tee Example Part No.: O1-2FBHG-12/12L12-HT-MS

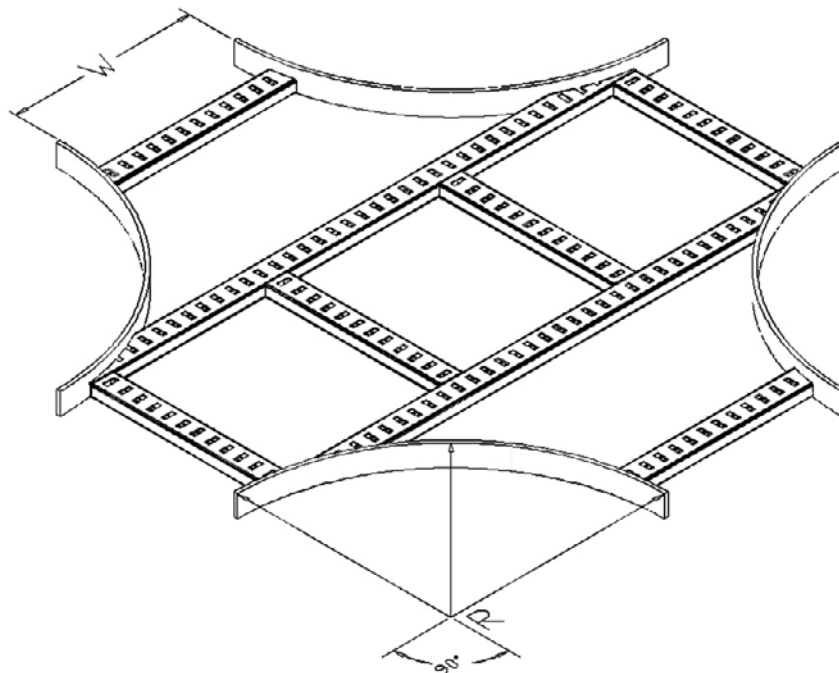
Unequal Tee Example Part No.: O1-2FBHG-12/24L12-HT-MS



Flatbar Siderail Horizontal Equal Cross & Unequal Cross

Equal Cross Example Part No.: O1-2FBHG-12/12L12-HC-MS

Unequal Cross Example Part No.: O1-2FBHG-12/18L12-HC-MS



Flatbar Horizontal Adjustable Splice Plate

Example Part No.: O1-SS2-HAC

01-SS 2-HAC

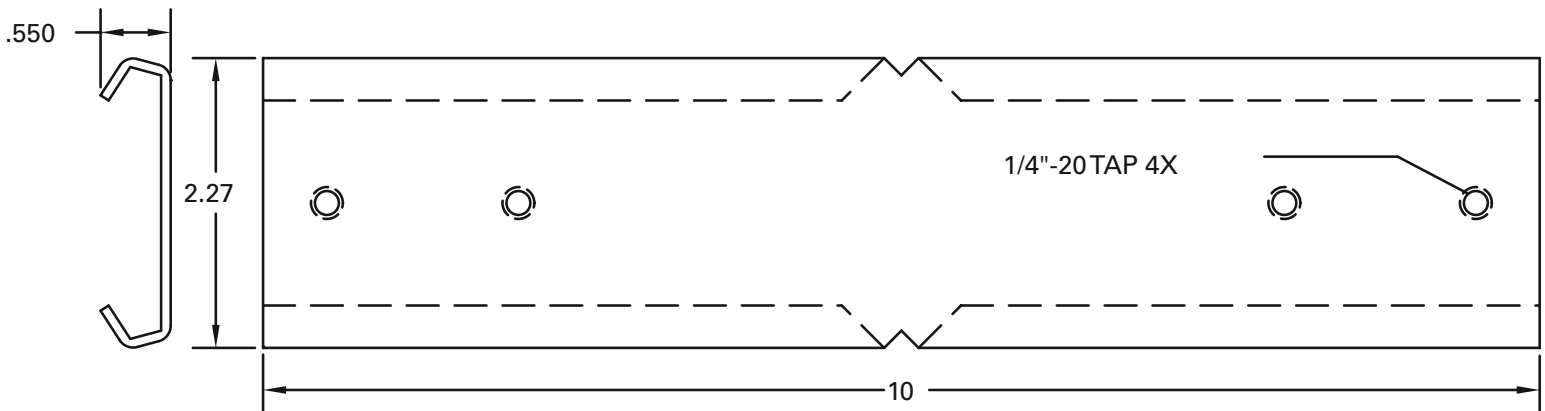


1 Product Code
01 Ocean-1

3 Side Rail Height
2 = 2" x 1/4" Flatbar

2 Material/Finish
HG Hot Dipped Galvanized
SS 316 Stainless Steel

4 Accessory Type
HAC Horizontal Adjustable Connector

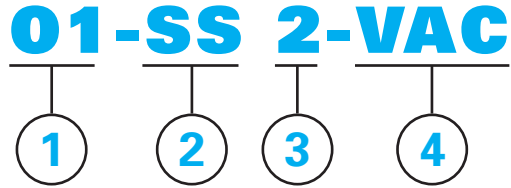


Note:

1. Sold in pairs
2. Includes Hardware

Flatbar Vertical Adjustable Splice Plate

Example Part No.: O1-SS2-VAC



1 Product Code
O1 Ocean-1

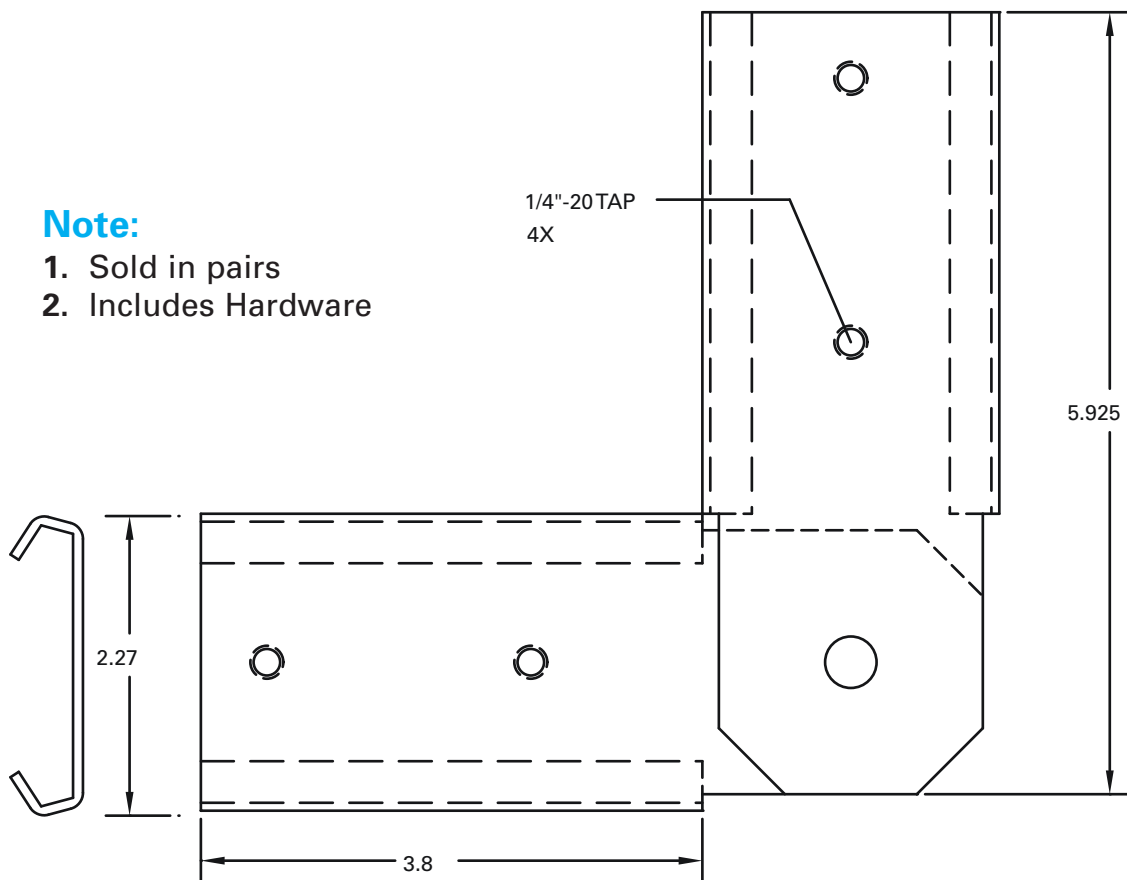
3 Side Rail Height
2 = 2" x 1/4" Flatbar

2 Material/Finish
HG Hot Dipped Galvanized
SS 316 Stainless Steel

4 Accessory Type
VAC Vertical Adjustable Connector

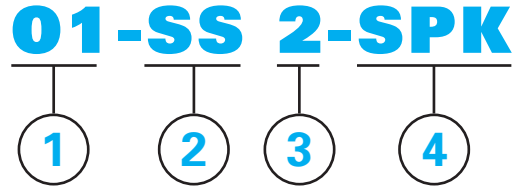
Note:

1. Sold in pairs
2. Includes Hardware



Flatbar Straight Splice Plate

Example Part No.: O1-SS2-SPK

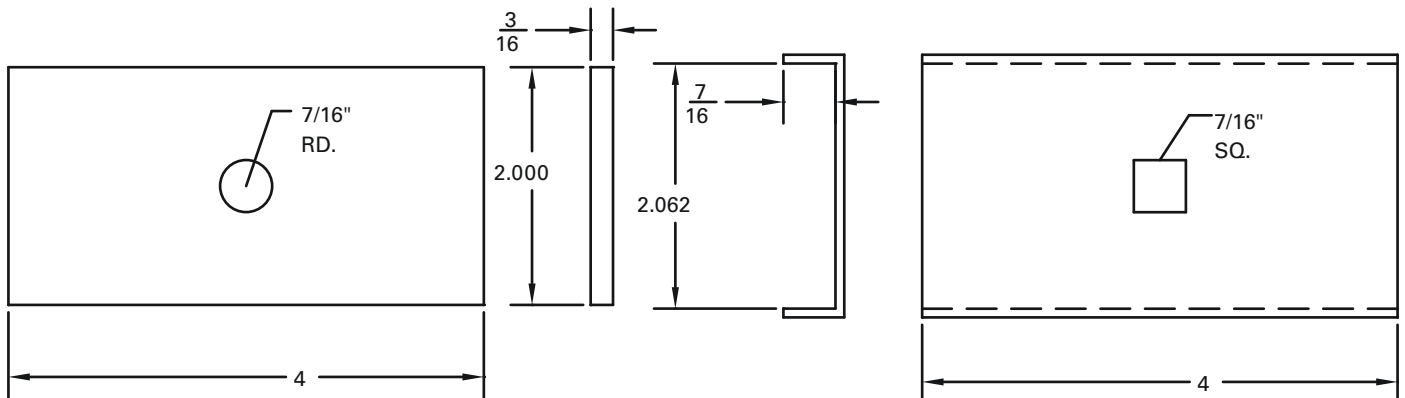


1 Product Code
O1 Ocean-1

3 Side Rail Height
2 = 2" x 1/4" Flatbar

2 Material/Finish
HG Hot Dipped Galvanized
SS 316 Stainless Steel

4 Accessory Type
SPK Splice Plate Kit



Note:

1. Sold in pairs
2. Includes Hardware

Flatbar Overlap Hold Down Clamp Example Part No.: O1-SS2-HDC

01-SS 2-HDC

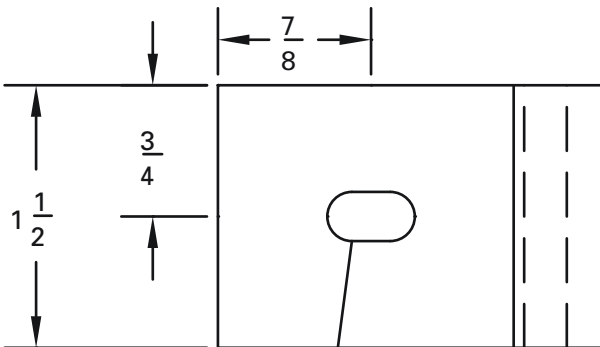
① ② ③ ④

① **Product Code**
O1 Ocean-1

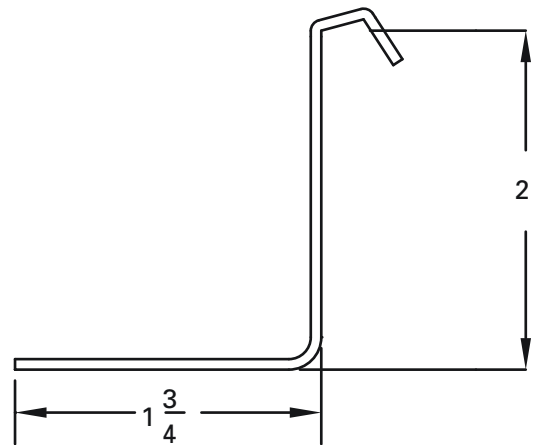
③ **Side Rail Height**
2 = 2" x 1/4" Flatbar

② **Material/Finish**
HG Hot Dipped Galvanized
SS 316 Stainless Steel

④ **Accessory Type**
HDC Hold Down Clamp



9/32" X 1/2" OBR.



Note:

1. Sold each
2. Includes 1/4" Hardware

LIMITED WARRANTY; LIMITATION OF LIABILITY

OCEAN-1 WARRANTS THAT THE PRODUCTS TO BE SUPPLIED HEREUNDER ARE MANUFACTURED IN ACCORDANCE WITH MANUFACTURER'S APPLICABLE MATERIAL SPECIFICATIONS AND ARE FREE FROM DEFECTS IN MATERIALS AND WORKMANSHIP USING MANUFACTURER'S SPECIFICATIONS AS A STANDARD. ONLY SUCH PRODUCTS INSTALLED AND USED IN ACCORDANCE WITH APPLICABLE MANUFACTURER'S INSTRUCTIONS AND SPECIFICATIONS ARE IN ANY WAY WARRANTED BY OCEAN-1 OR MANUFACTURER. ALL OTHER CLAIMS ARE WAIVED. THIS LIMITED WARRANTY IS THE EXCLUSIVE REMEDY AND WARRANTY FROM OCEAN-1 AND THE MANUFACTURER. CUSTOMER AGREES NOT TO LOOK TO OCEAN-1 FOR ANY REMEDY IN CONNECTION WITH PRODUCTS NOT MANUFACTURED BY OCEAN-1, PROVIDED THAT OCEAN-1 HEREBY ASSIGNS TO CUSTOMER ALL MANUFACTURER'S WARRANTIES WITH RESPECT TO SUCH PRODUCTS, TO THE EXTENT ASSIGNABLE. THE PRODUCTS TO BE SUPPLIED HEREUNDER ARE NOT SOLD WITH ANY WARRANTIES, EXPRESS OR IMPLIED, INCLUDING ANY WARRANTY OF MERCHANTABILITY OR WARRANTY OF FITNESS FOR A PARTICULAR PURPOSE, WHICH IMPLIED WARRANTIES ARE SPECIFICALLY DISCLAIMED. THIS LIMITED WARRANTY IS CUSTOMER'S SOLE AND EXCLUSIVE REMEDY. IT IS EXPRESSLY UNDERSTOOD AND AGREED THAT THE LIMIT OF OCEAN-1'S LIABILITY WITH RESPECT TO PRODUCTS SUPPLIED BY OCEAN-1 WILL BE, AT OCEAN-1'S OPTION, REPAIR OF THE DEFECTIVE PRODUCT OR RE-SUPPLY OF A LIKE QUANTITY OF NON-DEFECTIVE PRODUCT, AND SUPPLIER SHALL NOT BE LIABLE FOR ANY DAMAGES WHICH ARE BASED UPON ALLEGED NEGLIGENCE, BREACH OF WARRANTY, STRICT LIABILITY OR ANY OTHER THEORY OTHER THAN THE LIMITED WARRANTY SET FORTH ABOVE. CUSTOMER WILL BE RESPONSIBLE FOR ALL LABOR AND SERVICE CHARGES THAT MAY BE INCURRED WITH RESPECT TO EITHER THE ORIGINAL OR REPLACEMENT PRODUCT. IN NO EVENT WILL OCEAN-1 OR MANUFACTURER BE LIABLE FOR ANY INCIDENTAL OR CONSEQUENTIAL DAMAGES.



11750 Clay Road · Houston, TX 77043
sales@ocean-1.com · www.ocean-1.com
713.460.0649

©2023 OCEAN-1 MARINE PRODUCTS, LTD.