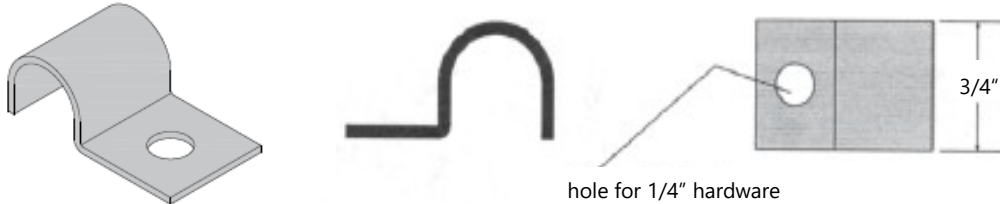




SINGLE LINE CLAMPS



hole for 1/4" hardware

Channel Track **SINGLE LINE CLAMPS** are precision manufactured from 316SS. All edges have been mechanically deburred to protect tubing from any damage. These industry proven clamps provide a high strength, corrosion resistant means by which to secure single runs of instrument tubing in an orderly fashion.

Packaged in quantities of 50 per bag.

Available upon request with #10 hole size

Tube Size (o.d.)	Catalog No.
1/4"	SCL-25-SS
3/8"	SCL-37-SS
1/2"	SCL-50-SS
5/8"	SCL-63-SS
3/4"	SCL-75-SS
7/8"	SCL-87-SS
1"	SCL-100-SS
1-1/4"	SCL-125-SS

DUPLEX LINE CLAMPS



hole for 1/4" hardware

Channel Track **DUPLEX LINE CLAMPS** are constructed of high strength, temperature and corrosion resistant 316SS. These precision manufactured clamps offer an easy, positive clamping action that secures two evenly spaced instrument tubing lines simultaneously. All sharp edges have been mechanically deburred to eliminate any possible damage to coated tubing.

Packaged in quantities of 50 per bag.

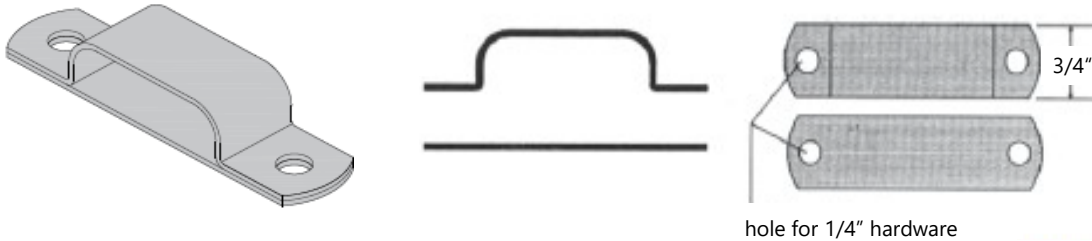
Available upon request with #10 hole size

Tube Size (o.d.)	Catalog No.
1/4"	DCL-25-SS
3/8"	DCL-37-SS
1/2"	DCL-50-SS





GANG CLAMPS & BACK PLATES



Channel Track **GANG CLAMPS** are precision engineered devices that gather together from two (2) to twenty (20) tubes. With their construction of 316SS, these clamps offer a versatile and efficient, high strength, corrosion resistant method of organizing multiple runs of tubing. They are mechanically deburred to eliminate any sharp edges which could be damaged to coated tubing.

Packaged in quantities of 25 per bag.

Available upon request with #10 hole size

Part No: GCL-(**)-SS-(*)-BP
(**) – Tube Diameter 1/4" O.D. – @25 3/8" O.D. – (37) 1/2" O.D. – (50)
(*) – Tube Capacity (2) thru (20)
Example: GCL-25-SS-2-BP

YOKE CLAMPS



Channel Track **YOKE CLAMPS** are designed for use in our perforated angle and channel. These clamps offer a positive clamping action for one (1) to four (4) tubes abreast and can be used for stacking multiple rows of tubing for optimum space efficiency. Used with a carriage bolt and wing nut assemble, they provide a fast easy installation. They are precision manufactured from 316SS for maximum corrosion resistance and strength.

Tube Size (o.d.)	Tube Capacity	Catalog No.
1/4"	1 or 2	SS-25-YC-2
1/4"	3 or 4	SS-25-YC-3
3/8"	1 or 2	SS-37-YC-2
3/8"	3 or 4	SS-37-YC-3
1/2"	1 or 2	SS-50-YC-2
1/2"	3 or 4	SS-50-YC-3
3/4"	1 or 2	SS-75-YC-2





TWO OR THREE DIRECTIONAL CLAMPS

DESCRIPTION:

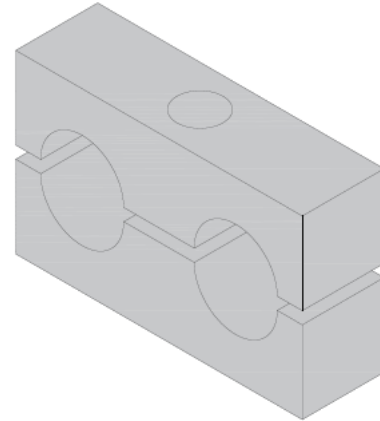
These precision manufactured **SOLID STAINLESS SPACER CLAMPS** are designed to provide either two or three directional retention of two (2) tubes. The clamp for 3/16" o.d. to 1/2" o.d. tubes can be mounted in either 2" wide channel as manufactured by Channel Track or in 2" x 2" angle. The clamps for 5/8" o.d. and 3/4" tubes can be mounted in either 3", 4", or 6" channel manufactured by Channel Track.

These clamps are designed to meet the requirements of the ASME boiler & Pressure Vessel Code, Section III Division 1, Subsection NF. Clamps can be supplied with *Certificate of Compliance* and/or Mill Test Reports.

NUCLEAR APPLICATION:

For application in the Nuclear Power Industry, clamps are manufactured under a strict Quality Assurance Program in compliance with Code of Federal Regulation, 10CFR50

All **SOLID SPACE CLAMPS** are standardly available in type 304 S.S. or 316 S.S. Clamps are standardly available in sizes: 3/16, 1/4", 5/16", 3/8", 1/2", 5/8", 3/4", 7/8", and 1"; However, other sizes can be manufactured. Clamps can be produced in metric sizes on request. Consult factory for details.



Tube Size (o.d.)	Mode of Clamping	Catalog No.
3/16"	Two Directional	SRC-2-19-2D
1/4"	Two Directional	SRC-2-25-2D
5/16"	Two Directional	SRC-2-31-2D
3/8"	Two Directional	SRC-2-38-2D
1/2"	Two Directional	SRC-2-50-2D
5/8"	Two Directional	SRC-2-63-2D
3/4"	Two Directional	SRC-2-75-2D
7/8"	Two Directional	SRC-2-88-2D
1"	Two Directional	SRC-2-100-2D
3/16"	Three Directional	SRC-2-19-3D
1/4"	Three Directional	SRC-2-25-3D
5/16"	Three Directional	SRC-2-31-3D
3/8"	Three Directional	SRC-2-38-3D
1/2"	Three Directional	SRC-2-50-3D
5/8"	Three Directional	SRC-2-63-3D
3/4"	Three Directional	SRC-2-75-3D
7/8"	Three Directional	SRC-2-88-3D
1"	Three Directional	SRC-2-100-3D

