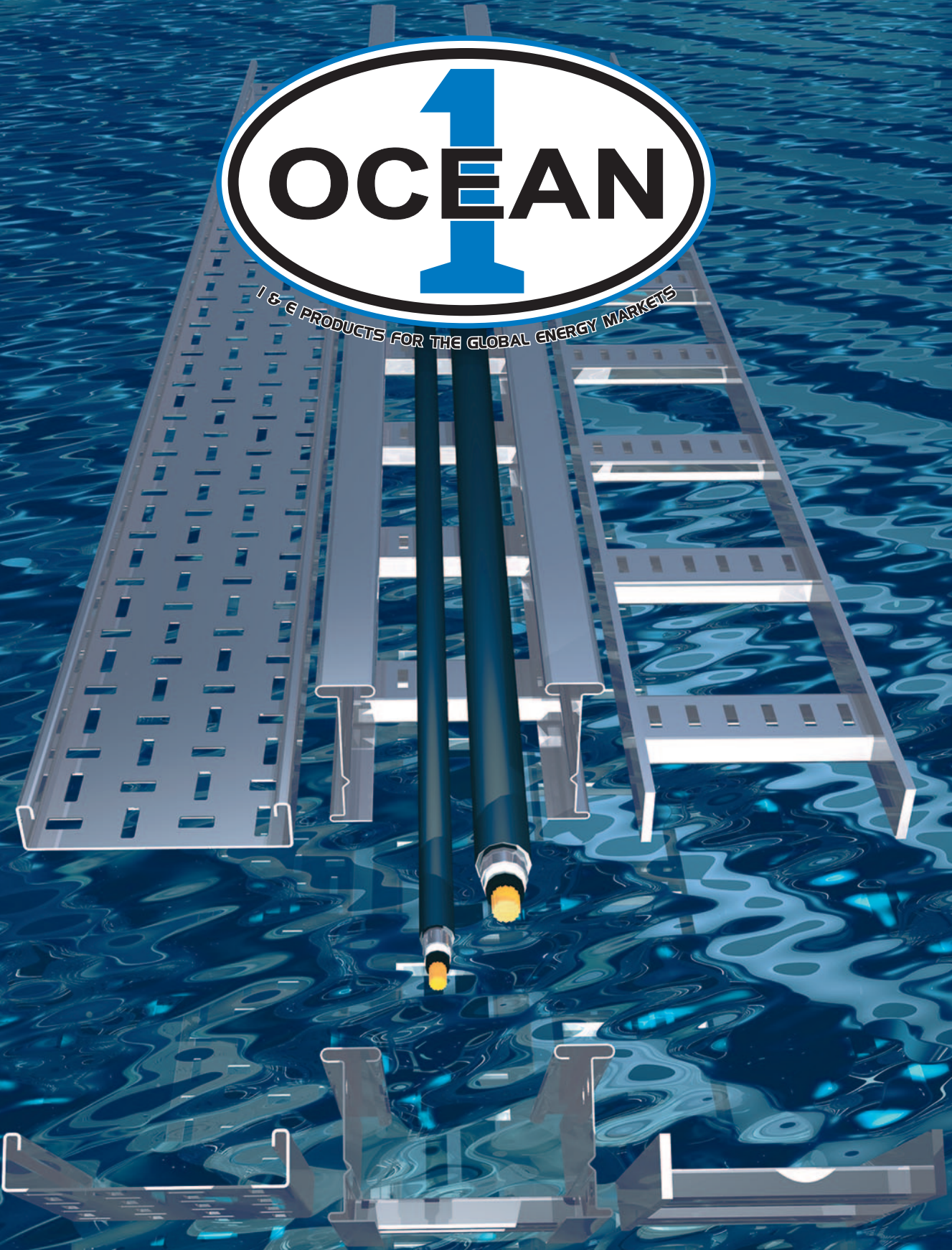




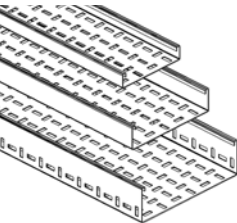
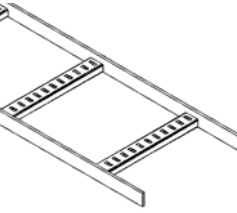
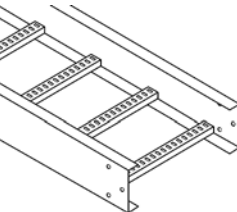
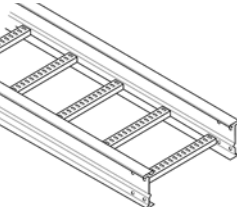
I & E PRODUCTS FOR THE GLOBAL ENERGY MARKETS



I-BEAM LADDER TRAY

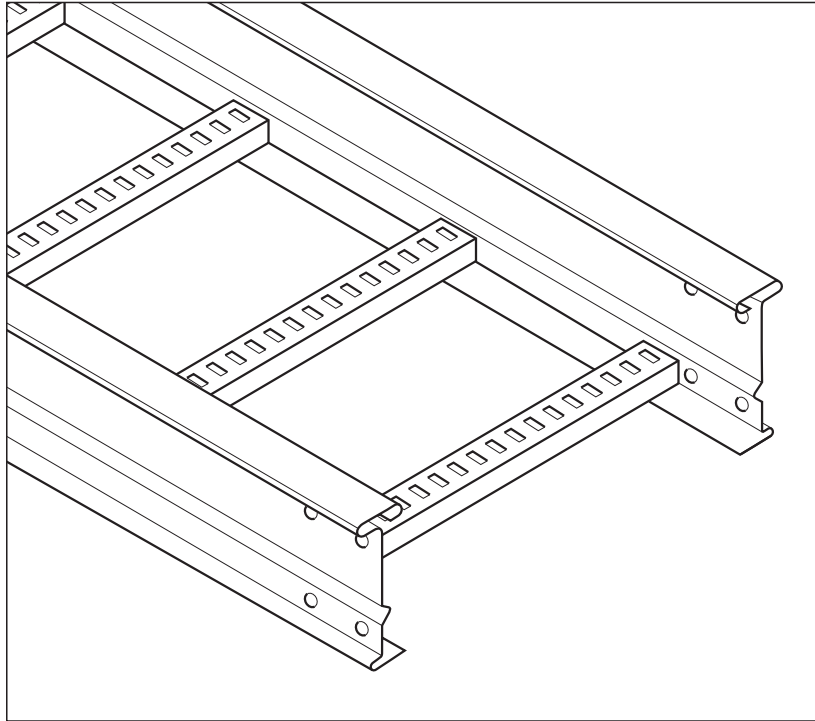


MARINE & OFFSHORE CABLE TRAY SYSTEMS

Section	Page
	Marine Channel 2
	Flatbar Ladder Tray 35
	C-Rail Leg-In Ladder Tray 46
	I-Beam Ladder Tray 67

Important notice: "The information contained within this catalog is for ILLUSTRATION PURPOSES ONLY. Product and use specifications and engineering data are not provided in this catalog, but are available upon request. Product application and fitness for particular purpose is determined solely by the customer and its engineering department and consultants. All product designs, dimensions, specifications, tolerances, performance, and similar characteristics are subject to change without notice."

I-Beam Ladder Tray

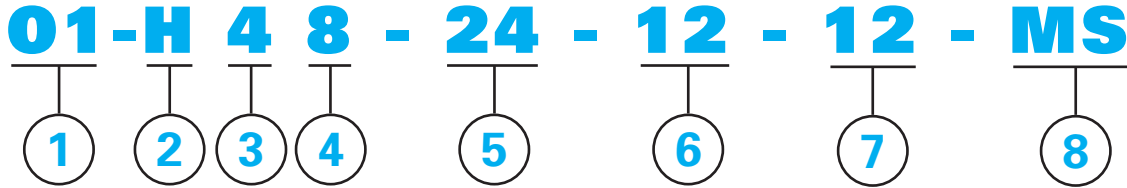


Available in the following material finishes:

Hot Dipped Galvanized
Stainless Steel

Cable Tray Part Numbering System

Example Part No.: **O1-H48-24-12-12-MS**



1 **Product Code**
O1 Ocean-1

2 **Material/Finish**
H Hot Dipped Galvanized
S6 316 Stainless Steel

3 **Side Rail Height**
4 = 4"
5 = 5"
6 = 6"
7 = 7"

4 **Gauge**
18 = 8 (Standard Gauge)
16 = 6
14 = 4

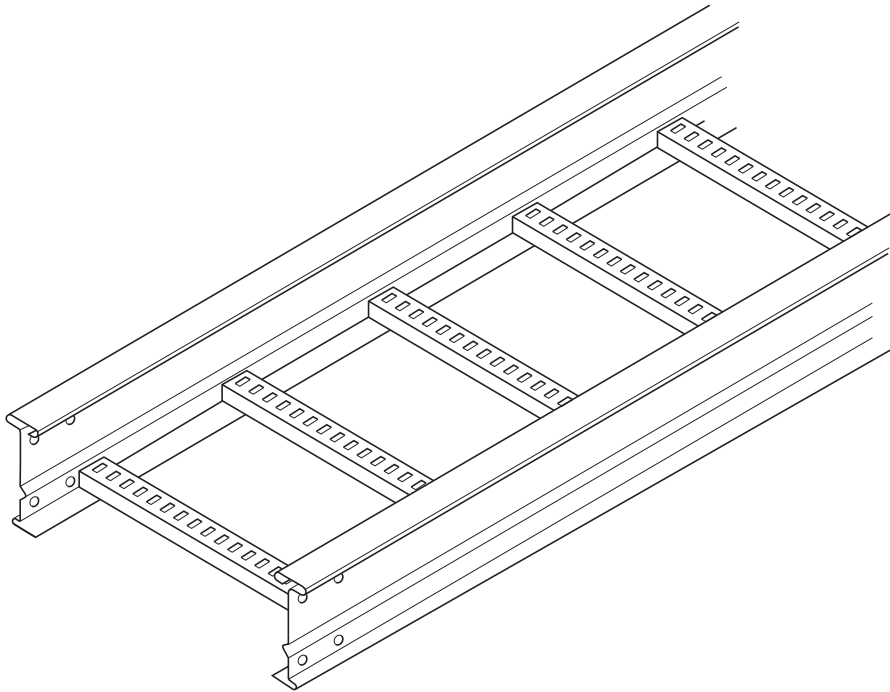
5 **Width**
06 = 6"
09 = 9"
12 = 12"
18 = 18"
24 = 24"
30 = 30"
36 = 36"

6 **Rung Space**
06 = 6"
09 = 9"
12 = 12" (Std. Stocked Rung Space)
15 = 15"

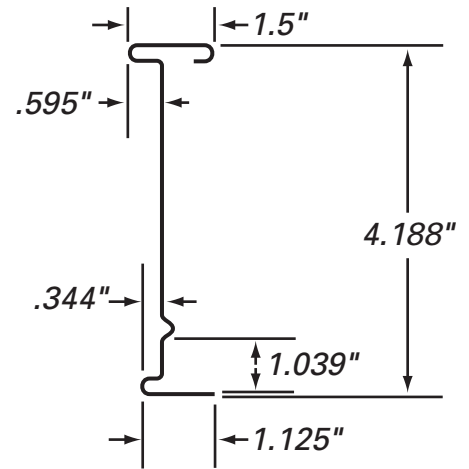
7 **Length**
12 = 12' (Std. Length)
24 = 24'

8 **Rung Type**
MS Marine Slotted

I-Beam Siderail Ladder Cable Tray

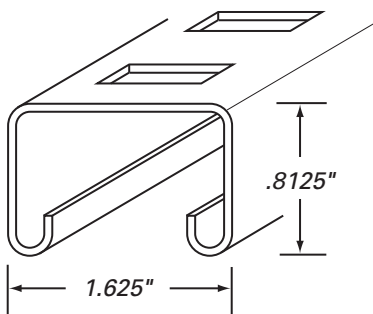


End View



4" Siderail Example

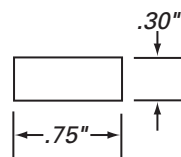
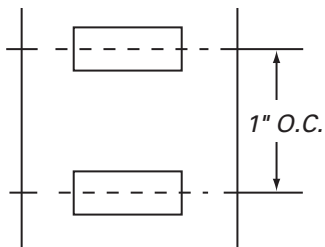
Rung Detail



Features:

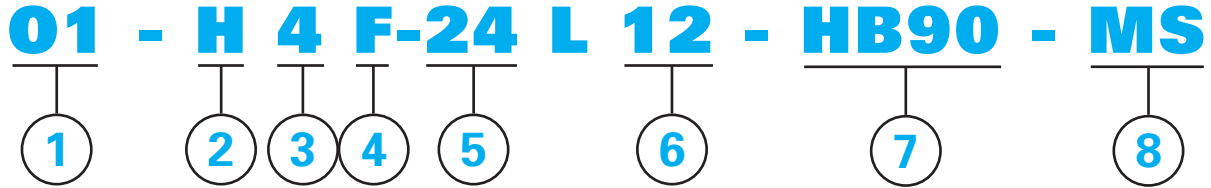
1. Siderail is roll formed for superior strength and offers a protective edge for cable roll-out.
2. Perforations in rungs accept 5/8" coated banding for securing cables.
3. Full Strut Rung.
4. Straight Sections supplied in 12' and 24' lengths.

Slot Size



Cable Tray Fitting Part Numbering System

Example Part No.: **O1-H4F-24L12-HB90-MS**



1 **Product Code**
O1 Ocean-1

2 **Material/Finish**
H Hot Dipped Galvanized
S6 316 Stainless Steel

3 **Side Rail Height**
4 = 4"
5 = 5"
6 = 6"
7 = 7"

4 **Series**
F Fitting

5 **Width**
06 = 6"
09 = 9"
12 = 12"
18 = 18"
24 = 24"
30 = 30"
36 = 36"

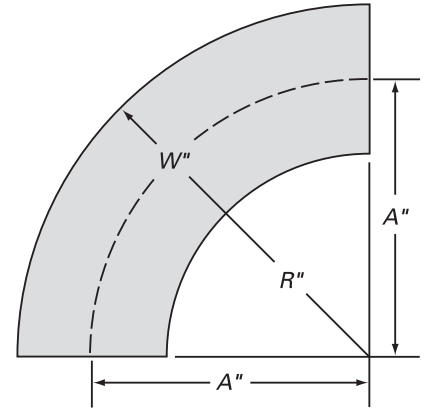
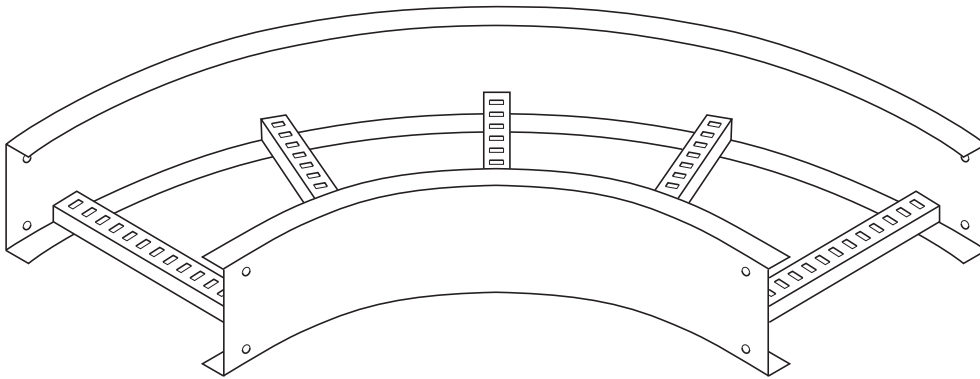
6 **Radius**
12 = 12"
24 = 24"

7 **Fitting Type**
HB Horizontal Bend - 30° 45° 60° 90°
VO Vertical Outside - 30° 45° 60° 90°
VI Vertical Inside - 30° 45° 60° 90°
HT Horizontal Tee
HC Horizontal Cross
SR Straight Reducers
RR Right Hand Reducers

8 **Rung Type**
MS Marine Slotted

90 Degree Horizontal Bend

Example Part No.: O1-H4F-12L12-HB90-MS

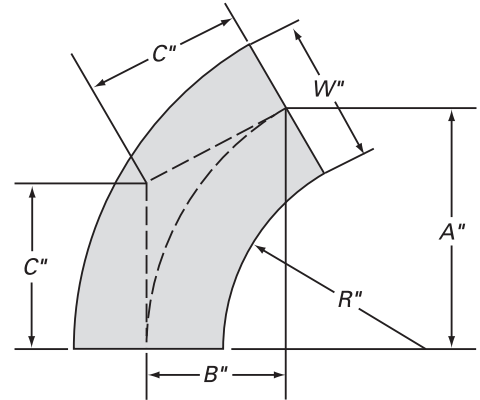
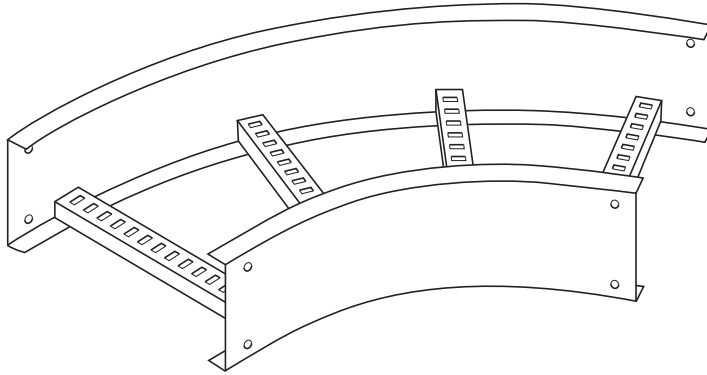


Catalog Number

Series*	Width (in.)	Bottom Style	Radius (in.)	Fitting Type	Dimensions A (in.)
(Series)*	6	(‡)	12 24	H90 H90	18.0 30.0
(Series)*	9	(‡)	12 24	H90 H90	19.5 31.5
(Series)*	12	(‡)	12 24	H90 H90	21.0 33.0
(Series)*	18	(‡)	12 24	H90 H90	24.0 36.0
(Series)*	24	(‡)	12 24	H90 H90	27.0 39.0
(Series)*	30	(‡)	12 24	H90 H90	30.0 42.0
(Series)*	36	(‡)	12 24	H90 H90	33.0 45.0

60 Degree Horizontal Bend

Example Part No.: O1-H4F-12L12-HB60-MS

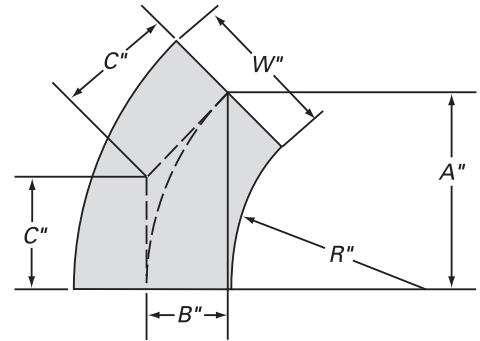
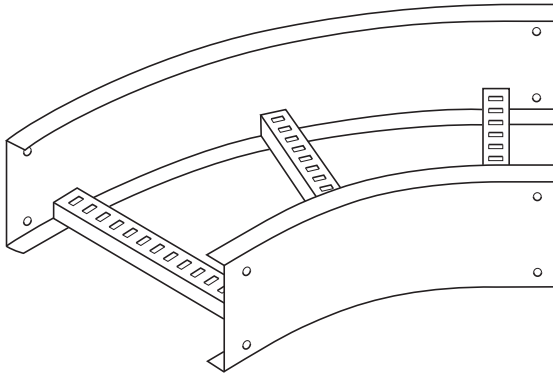


Catalog Number

Series*	Width (inches)	Bottom Style	Radius (inches)	Fitting Type	Dimensions (inches)		
					A	B	C
(Series)*	6	(±)	12	H60	17.5	10.1	11.7
					27.9	16.1	18.6
(Series)*	9	(±)	12	H60	18.8	10.9	12.5
					29.2	16.9	19.4
(Series)*	12	(±)	12	H60	20.1	11.6	13.4
					30.5	17.6	20.3
(Series)*	18	(±)	12	H60	22.7	13.1	15.1
					33.1	19.1	22.1
(Series)*	24	(±)	12	H60	25.3	14.6	16.9
					35.7	20.6	23.8
(Series)*	30	(±)	12	H60	27.9	16.1	18.6
					38.2	22.1	25.5
(Series)*	36	(±)	12	H60	30.5	17.6	20.3
					40.9	23.6	27.2

45 Degree Horizontal Bend

Example Part No.: O1-H4F-12L12-HB45-MS

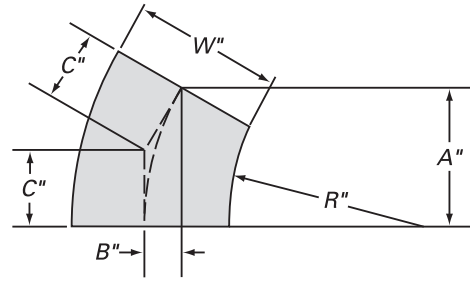
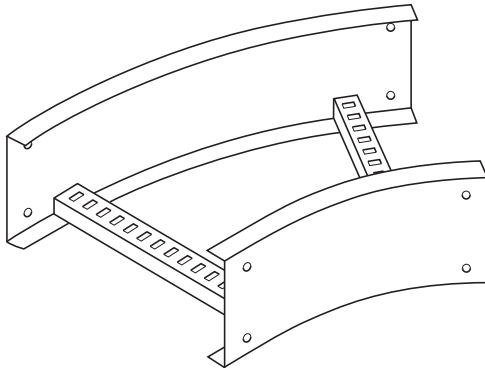


Catalog Number

Series*	Width (inches)	Bottom Style	Radius (inches)	Fitting Type	Dimensions (inches)		
					A	B	C
(Series)*	6	(±)	12	H45	15.8	6.5	9.2
					24.2	10.0	14.2
(Series)*	9	(±)	12	H45	16.8	6.9	9.8
					25.2	10.5	14.8
(Series)*	12	(±)	12	H45	17.9	7.4	10.4
					26.3	10.9	15.4
(Series)*	18	(±)	12	H45	20.0	8.2	11.7
					28.4	11.8	16.7
(Series)*	24	(±)	12	H45	22.1	9.1	12.9
					30.6	12.7	17.9
(Series)*	30	(±)	12	H45	24.2	10.0	14.2
					32.7	13.6	19.1
(Series)*	36	(±)	12	H45	26.3	10.9	15.4
					34.8	14.4	20.4

30 Degree Horizontal Bend

Example Part No.: O1-H4F-12L12-HB30-MS

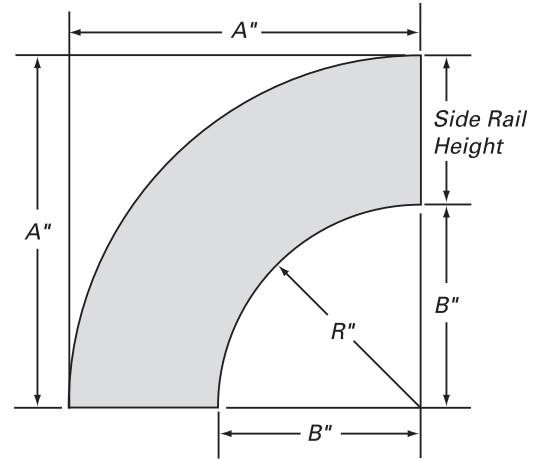
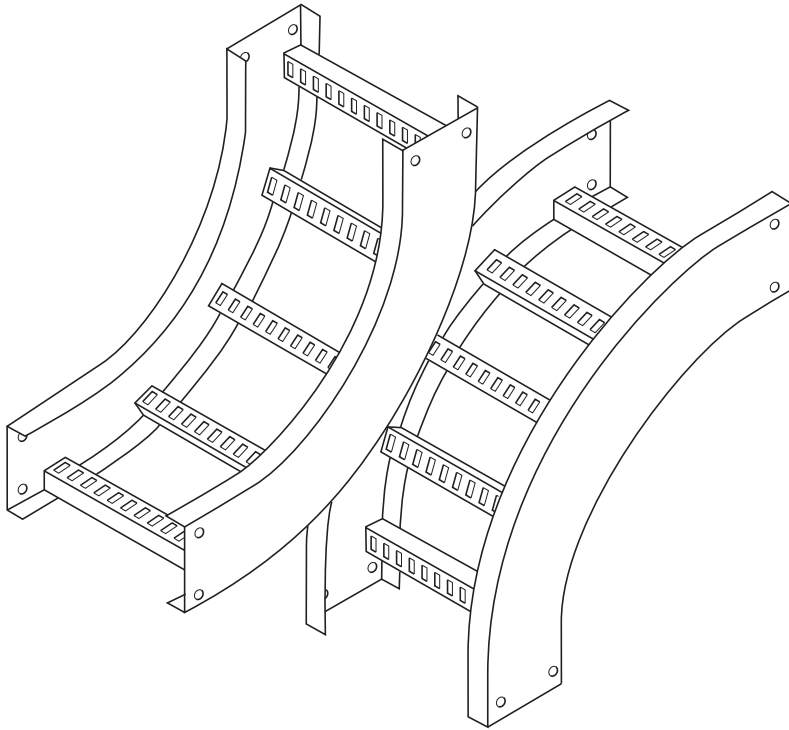


Catalog Number

Series*	Width (inches)	Bottom Style	Radius (inches)	Fitting Type	Dimensions (inches)		
					A	B	C
(Series)*	6	(±)	12	H30	13.1	3.5	7.0
					19.1	5.1	10.2
(Series)*	9	(±)	12	H30	13.9	3.7	7.4
					19.9	5.3	10.6
(Series)*	12	(±)	12	H30	14.6	3.9	7.8
					20.6	5.5	11.1
(Series)*	18	(±)	12	H30	16.1	4.3	8.6
					22.1	5.9	11.8
(Series)*	24	(±)	12	H30	17.6	4.7	9.4
					23.6	6.3	12.6
(Series)*	30	(±)	12	H30	19.1	5.1	10.2
					25.1	6.8	13.4
(Series)*	36	(±)	12	H30	20.6	5.5	11.1
					26.6	7.1	14.2

90 Degree Vertical Inside & Outside

Example Part No.: O1-H4F-24L12-VI90-MS
O1-H4F-24L12-VO90-MS

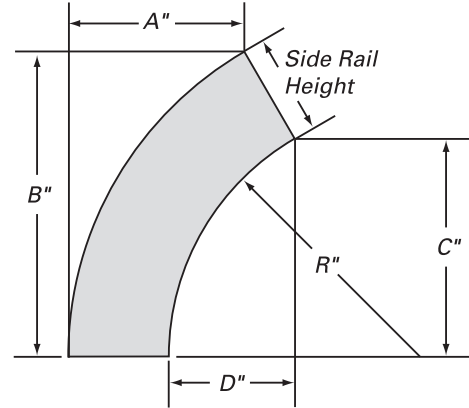
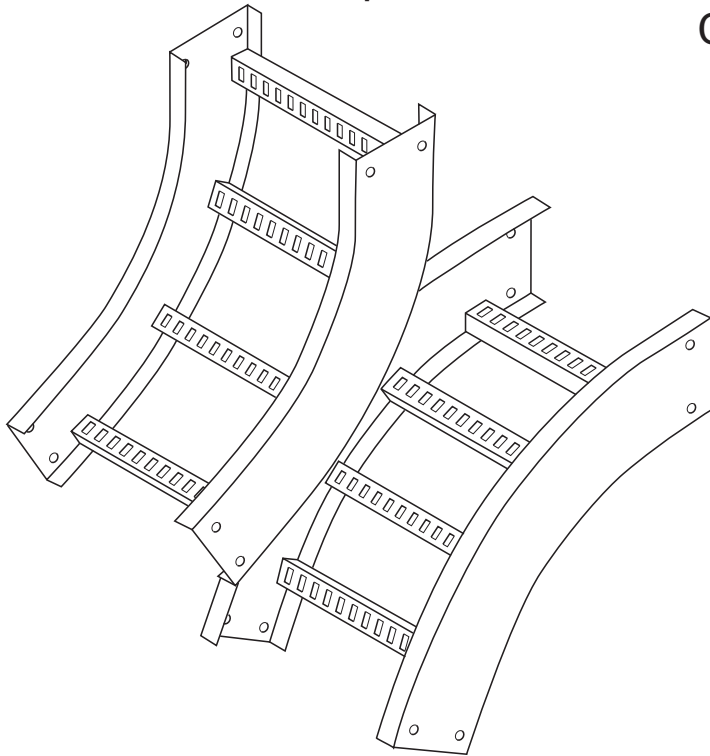


Catalog Number

Series*	Width (inches)	Bottom Style	Radius (inches)	Fitting Type	Siderail Height (inches)							
					4" -A	-B	5" -A	-B	6" -A	-B	7" -A	-B
(Series)*	6	(±)	12	(Δ)90	19.2	15.0	20.2	15.0	21.2	15.0	22.2	15.0
			24	(Δ)90	31.2	27.0	32.2	27.0	33.2	27.0	34.2	27.0
(Series)*	9	(±)	12	(Δ)90	19.2	15.0	20.2	15.0	21.2	15.0	22.2	15.0
			24	(Δ)90	31.2	27.0	32.2	27.0	33.2	27.0	34.2	27.0
(Series)*	12	(±)	12	(Δ)90	19.2	15.0	20.2	15.0	21.2	15.0	22.2	15.0
			24	(Δ)90	31.2	27.0	32.2	27.0	33.2	27.0	34.2	27.0
(Series)*	18	(±)	12	(Δ)90	19.2	15.0	20.2	15.0	21.2	15.0	22.2	15.0
			24	(Δ)90	31.2	27.0	32.2	27.0	33.2	27.0	34.2	27.0
(Series)*	24	(±)	12	(Δ)90	19.2	15.0	20.2	15.0	21.2	15.0	22.2	15.0
			24	(Δ)90	31.2	27.0	32.2	27.0	33.2	27.0	34.2	27.0
(Series)*	30	(±)	12	(Δ)90	19.2	15.0	20.2	15.0	21.2	15.0	22.2	15.0
			24	(Δ)90	31.2	27.0	32.2	27.0	33.2	27.0	34.2	27.0
(Series)*	36	(±)	12	(Δ)90	19.2	15.0	20.2	15.0	21.2	15.0	22.2	15.0
			24	(Δ)90	31.2	27.0	32.2	27.0	33.2	27.0	34.2	27.0

60 Degree Vertical Inside & Outside

Example Part No.: O1-H4F-24L12-VI60-MS
O1-H4F-24L12-VO60-MS



Catalog Number

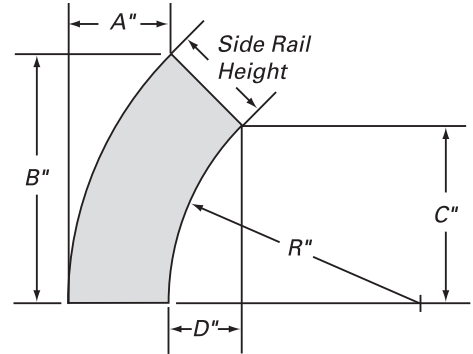
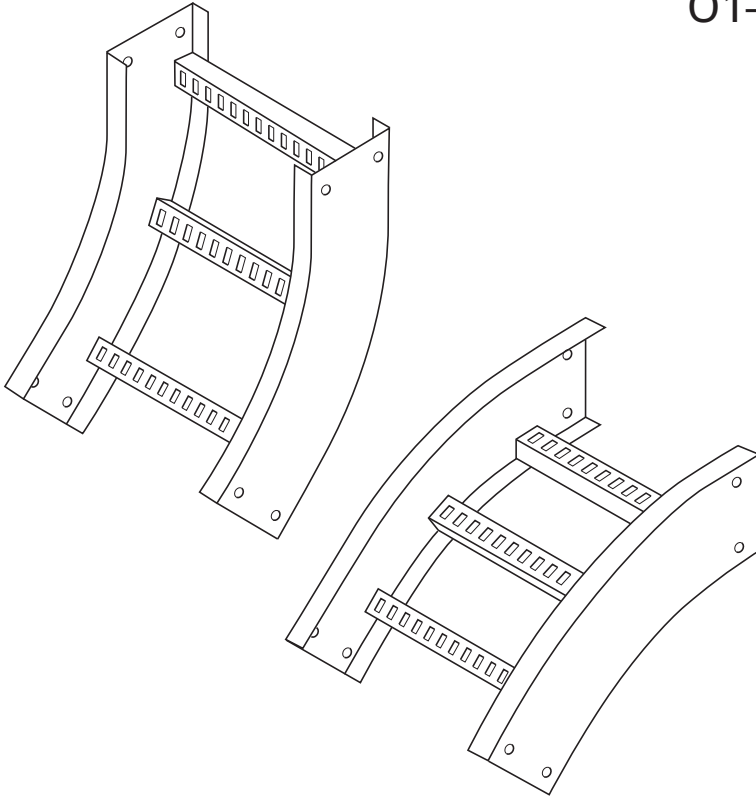
Series*	Width (inches)	Bottom Style	Radius (inches)	Fitting Type	Siderail Height (inches)															
					4"-A	-B	-C	-D	5"-A	-B	-C	-D	6"-A	-B	-C	-D	7"-A	-B	-C	-D
(Series)*	6	(‡)	12	(Δ)90	10.7	18.5	14.9	8.6	11.2	19.4	14.9	8.6	11.7	20.3	14.9	8.6	12.2	21.1	14.9	8.6
				(Δ)90	16.7	28.9	25.3	14.6	17.2	29.8	25.3	14.6	17.7	30.6	25.3	14.6	18.2	31.5	25.3	14.6
(Series)*	9	(‡)	12	(Δ)90	10.7	18.5	14.9	8.6	11.2	19.4	14.9	8.6	11.7	20.3	14.9	8.6	12.2	21.1	14.9	8.6
				(Δ)90	16.7	28.9	25.3	14.6	17.2	29.8	25.3	14.6	17.7	30.6	25.3	14.6	18.2	31.5	25.3	14.6
(Series)*	12	(‡)	12	(Δ)90	10.7	18.5	14.9	8.6	11.2	19.4	14.9	8.6	11.7	20.3	14.9	8.6	12.2	21.1	14.9	8.6
				(Δ)90	16.7	28.9	25.3	14.6	17.2	29.8	25.3	14.6	17.7	30.6	25.3	14.6	18.2	31.5	25.3	14.6
(Series)*	18	(‡)	12	(Δ)90	10.7	18.5	14.9	8.6	11.2	19.4	14.9	8.6	11.7	20.3	14.9	8.6	12.2	21.1	14.9	8.6
				(Δ)90	16.7	28.9	25.3	14.6	17.2	29.8	25.3	14.6	17.7	30.6	25.3	14.6	18.2	31.5	25.3	14.6
(Series)*	24	(‡)	12	(Δ)90	10.7	18.5	14.9	8.6	11.2	19.4	14.9	8.6	11.7	20.3	14.9	8.6	12.2	21.1	14.9	8.6
				(Δ)90	16.7	28.9	25.3	14.6	17.2	29.8	25.3	14.6	17.7	30.6	25.3	14.6	18.2	31.5	25.3	14.6
(Series)*	30	(‡)	12	(Δ)90	10.7	18.5	14.9	8.6	11.2	19.4	14.9	8.6	11.7	20.3	14.9	8.6	12.2	21.1	14.9	8.6
				(Δ)90	16.7	28.9	25.3	14.6	17.2	29.8	25.3	14.6	17.7	30.6	25.3	14.6	18.2	31.5	25.3	14.6
(Series)*	36	(‡)	12	(Δ)90	10.7	18.5	14.9	8.6	11.2	19.4	14.9	8.6	11.7	20.3	14.9	8.6	12.2	21.1	14.9	8.6
				(Δ)90	16.7	28.9	25.3	14.6	17.2	29.8	25.3	14.6	17.7	30.6	25.3	14.6	18.2	31.5	25.3	14.6
(Series)*	42	(‡)	12	(Δ)90	10.7	18.5	14.9	8.6	11.2	19.4	14.9	8.6	11.7	20.3	14.9	8.6	12.2	21.1	14.9	8.6
				(Δ)90	16.7	28.9	25.3	14.6	17.2	29.8	25.3	14.6	17.7	30.6	25.3	14.6	18.2	31.5	25.3	14.6

45 Degree Vertical Inside & Outside

Example Part No.:

O1-H4F-24L12-VI45-MS

O1-H4F-24L12-VO45-MS

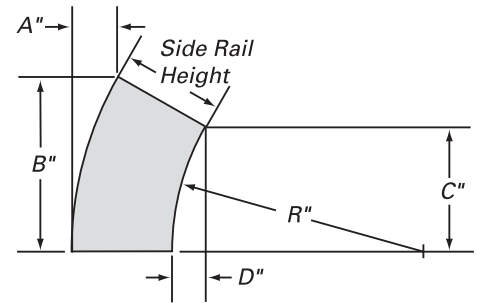
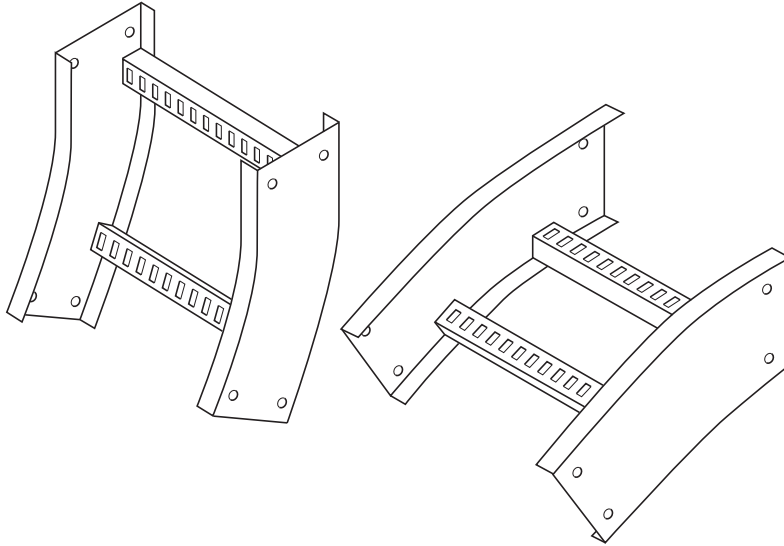


Catalog Number

Series*	Width (inches)	Bottom Style	Radius (inches)	Fitting Type	Siderail Height (inches)															
					4"-A	-B	-C	-D	5"-A	-B	-C	-D	6"-A	-B	-C	-D	7"-A	-B	-C	-D
(Series)*	6	(±)	12	(Δ)90	6.9	16.6	13.6	5.6	7.2	17.3	13.6	5.6	7.4	18.0	13.6	5.6	7.7	18.6	13.6	5.6
				(Δ)90	10.4	25.1	22.1	9.2	10.7	25.8	22.1	9.2	11.0	26.5	22.1	9.2	11.3	27.2	22.1	9.2
(Series)*	9	(±)	12	(Δ)90	6.9	16.6	13.6	5.6	7.2	17.3	13.6	5.6	7.4	18.0	13.6	5.6	7.7	18.6	13.6	5.6
				(Δ)90	10.4	25.1	22.1	9.2	10.7	25.8	22.1	9.2	11.0	26.5	22.1	9.2	11.3	27.2	22.1	9.2
(Series)*	12	(±)	12	(Δ)90	6.9	16.6	13.6	5.6	7.2	17.3	13.6	5.6	7.4	18.0	13.6	5.6	7.7	18.6	13.6	5.6
				(Δ)90	10.4	25.1	22.1	9.2	10.7	25.8	22.1	9.2	11.0	26.5	22.1	9.2	11.3	27.2	22.1	9.2
(Series)*	18	(±)	12	(Δ)90	6.9	16.6	13.6	5.6	7.2	17.3	13.6	5.6	7.4	18.0	13.6	5.6	7.7	18.6	13.6	5.6
				(Δ)90	10.4	25.1	22.1	9.2	10.7	25.8	22.1	9.2	11.0	26.5	22.1	9.2	11.3	27.2	22.1	9.2
(Series)*	24	(±)	12	(Δ)90	6.9	16.6	13.6	5.6	7.2	17.3	13.6	5.6	7.4	18.0	13.6	5.6	7.7	18.6	13.6	5.6
				(Δ)90	10.4	25.1	22.1	9.2	10.7	25.8	22.1	9.2	11.0	26.5	22.1	9.2	11.3	27.2	22.1	9.2
(Series)*	30	(±)	12	(Δ)90	6.9	16.6	13.6	5.6	7.2	17.3	13.6	5.6	7.4	18.0	13.6	5.6	7.7	18.6	13.6	5.6
				(Δ)90	10.4	25.1	22.1	9.2	10.7	25.8	22.1	9.2	11.0	26.5	22.1	9.2	11.3	27.2	22.1	9.2
(Series)*	36	(±)	24	(Δ)90	10.4	25.1	22.1	9.2	10.7	25.8	22.1	9.2	11.0	26.5	22.1	9.2	11.3	27.2	22.1	9.2
				(Δ)90	6.9	16.6	13.6	5.6	7.2	17.3	13.6	5.6	7.4	18.0	13.6	5.6	7.7	18.6	13.6	5.6

30 Degree Vertical Inside & Outside

Example Part No.: O1-H4F-24L12-VI30-MS
O1-H4F-24L12-VO30-MS

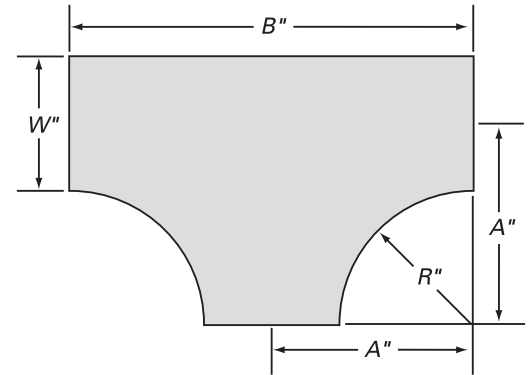
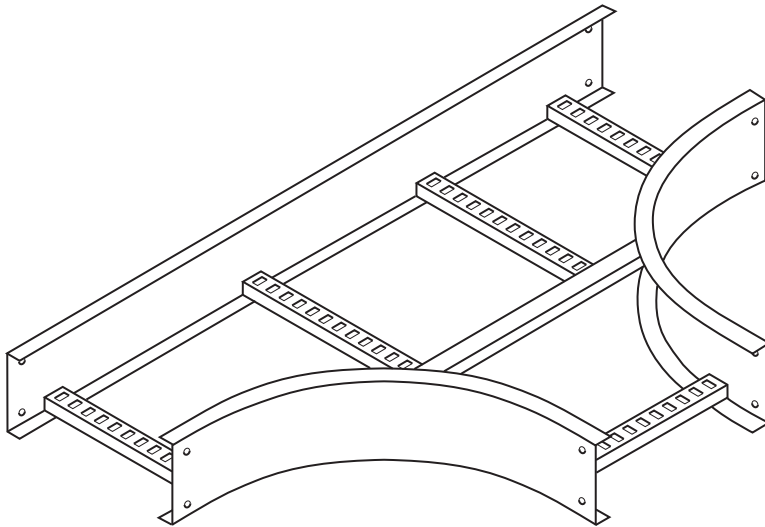


Catalog Number

Series*	Width (inches)	Bottom Style	Radius (inches)	Fitting Type	Siderail Height (inches)															
					4"-A	-B	-C	-D	5"-A	-B	-C	-D	6"-A	-B	-C	-D	7"-A	-B	-C	-D
(Series)*	6	(‡)	12	(Δ)90	3.7	13.7	11.6	3.1	3.8	14.2	11.6	3.1	3.9	14.7	11.6	3.1	4.1	15.2	11.6	3.1
				(Δ)90	5.3	19.7	17.6	4.7	5.4	20.2	17.6	4.7	5.5	20.7	17.6	4.7	5.7	21.2	17.6	4.7
(Series)*	9	(‡)	12	(Δ)90	3.7	13.7	11.6	3.1	3.8	14.2	11.6	3.1	3.9	14.7	11.6	3.1	4.1	15.2	11.6	3.1
				(Δ)90	5.3	19.7	17.6	4.7	5.4	20.2	17.6	4.7	5.5	20.7	17.6	4.7	5.7	21.2	17.6	4.7
(Series)*	12	(‡)	12	(Δ)90	3.7	13.7	11.6	3.1	3.8	14.2	11.6	3.1	3.9	14.7	11.6	3.1	4.1	15.2	11.6	3.1
				(Δ)90	5.3	19.7	17.6	4.7	5.4	20.2	17.6	4.7	5.5	20.7	17.6	4.7	5.7	21.2	17.6	4.7
(Series)*	18	(‡)	12	(Δ)90	3.7	13.7	11.6	3.1	3.8	14.2	11.6	3.1	3.9	14.7	11.6	3.1	4.1	15.2	11.6	3.1
				(Δ)90	5.3	19.7	17.6	4.7	5.4	20.2	17.6	4.7	5.5	20.7	17.6	4.7	5.7	21.2	17.6	4.7
(Series)*	24	(‡)	12	(Δ)90	3.7	13.7	11.6	3.1	3.8	14.2	11.6	3.1	3.9	14.7	11.6	3.1	4.1	15.2	11.6	3.1
				(Δ)90	5.3	19.7	17.6	4.7	5.4	20.2	17.6	4.7	5.5	20.7	17.6	4.7	5.7	21.2	17.6	4.7
(Series)*	30	(‡)	12	(Δ)90	3.7	13.7	11.6	3.1	3.8	14.2	11.6	3.1	3.9	14.7	11.6	3.1	4.1	15.2	11.6	3.1
				(Δ)90	5.3	19.7	17.6	4.7	5.4	20.2	17.6	4.7	5.5	20.7	17.6	4.7	5.7	21.2	17.6	4.7
(Series)*	36	(‡)	24	(Δ)90	3.7	13.7	11.6	3.1	3.8	14.2	11.6	3.1	3.9	14.7	11.6	3.1	4.1	15.2	11.6	3.1
				(Δ)90	5.3	19.7	17.6	4.7	5.4	20.2	17.6	4.7	5.5	20.7	17.6	4.7	5.7	21.2	17.6	4.7
			12		3.7	13.7	11.6	3.1	3.8	14.2	11.6	3.1	3.9	14.7	11.6	3.1	4.1	15.2	11.6	3.1
			24		5.3	19.7	17.6	4.7	5.4	20.2	17.6	4.7	5.5	20.7	17.6	4.7	5.7	21.2	17.6	4.7

Horizontal Equal Tee

Example Part No.: O1-H4F-12/12L12-HT-MS

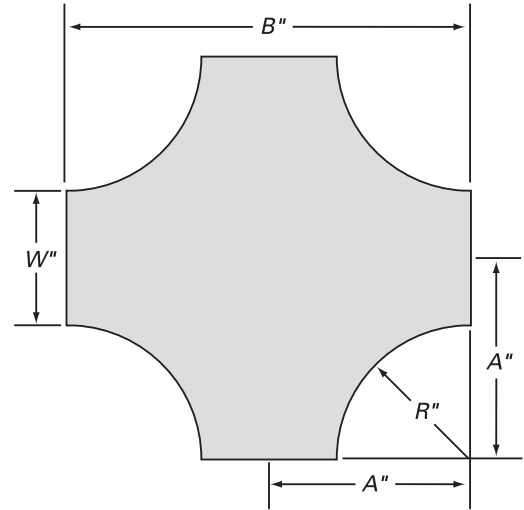
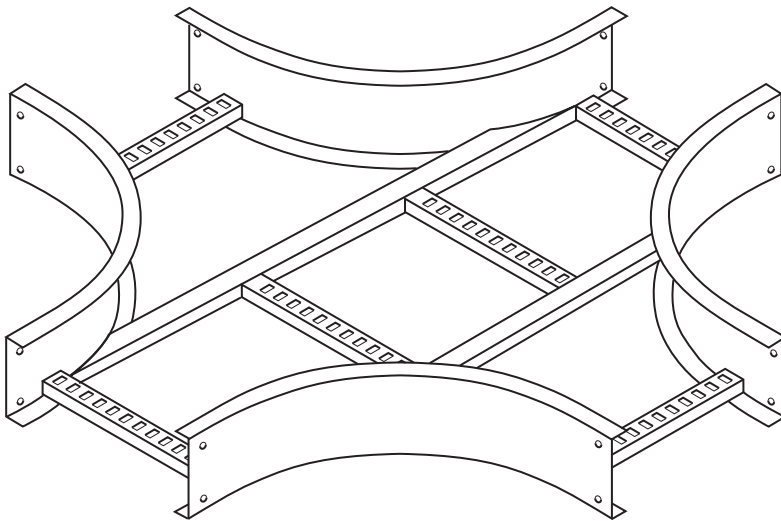


Catalog Number

Series*	Width (inches)	Bottom Style	Radius (inches)	Fitting Type	Dimensions (inches)	
					A	B
(Series)*	6	(‡)	12	(Δ)	18.0	36.0
			24	(Δ)	30.0	60.0
(Series)*	9	(‡)	12	(Δ)	19.5	39.0
			24	(Δ)	31.5	63.0
(Series)*	12	(‡)	12	(Δ)	21.0	42.0
			24	(Δ)	33.0	66.0
(Series)*	18	(‡)	12	(Δ)	24.0	48.0
			24	(Δ)	36.0	72.0
(Series)*	24	(‡)	12	(Δ)	27.0	54.0
			24	(Δ)	39.0	78.0
(Series)*	30	(‡)	12	(Δ)	30.0	60.0
			24	(Δ)	42.0	84.0
(Series)*	36	(‡)	12	(Δ)	33.0	66.0
			24	(Δ)	45.0	90.0

Horizontal Equal Cross

Example Part No.: O1-H4F-12/12L12-HC-MS

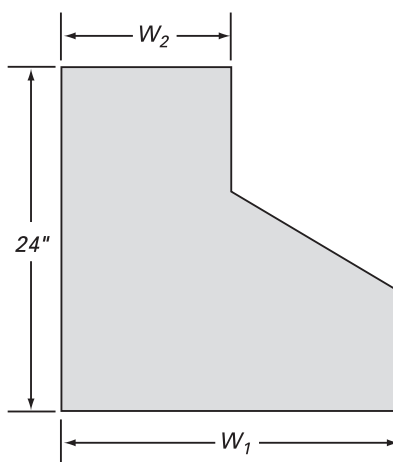
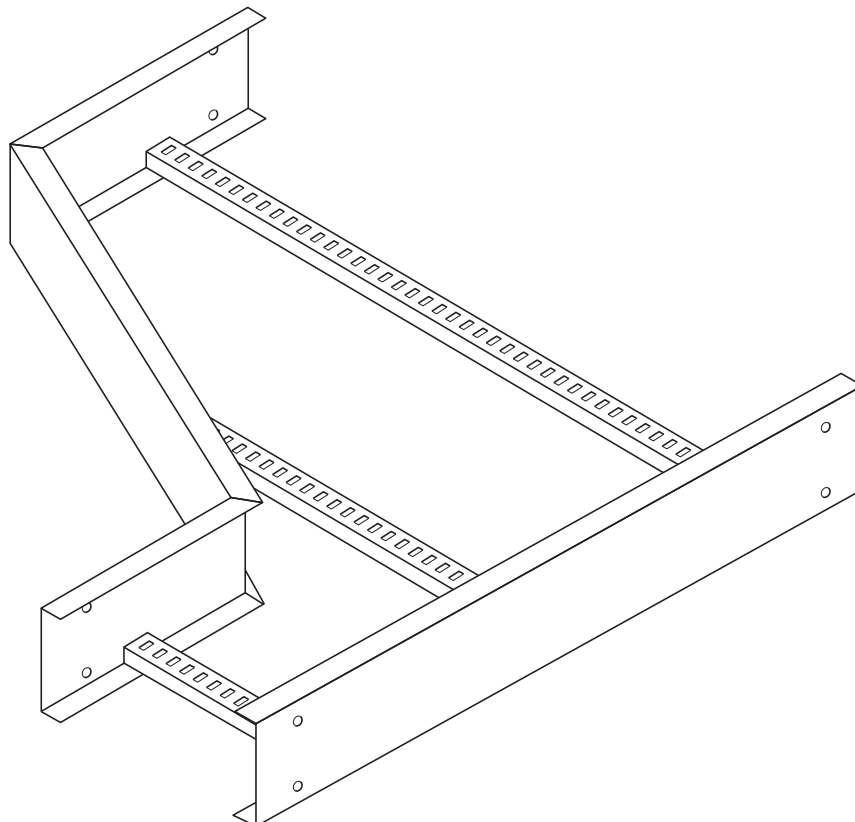


Catalog Number

Series*	Width (inches)	Bottom Style	Radius (inches)	Fitting Type	Dimensions (inches)	
					A	B
(Series)*	6	(‡)	12	(Δ)	18.0	36.0
			24	(Δ)	30.0	60.0
(Series)*	9	(‡)	12	(Δ)	19.5	39.0
			24	(Δ)	31.5	63.0
(Series)*	12	(‡)	12	(Δ)	21.0	42.0
			24	(Δ)	33.0	66.0
(Series)*	18	(‡)	12	(Δ)	24.0	48.0
			24	(Δ)	36.0	72.0
(Series)*	24	(‡)	12	(Δ)	27.0	54.0
			24	(Δ)	39.0	78.0
(Series)*	30	(‡)	12	(Δ)	30.0	60.0
			24	(Δ)	42.0	84.0
(Series)*	36	(‡)	12	(Δ)	33.0	66.0
			24	(Δ)	45.0	90.0

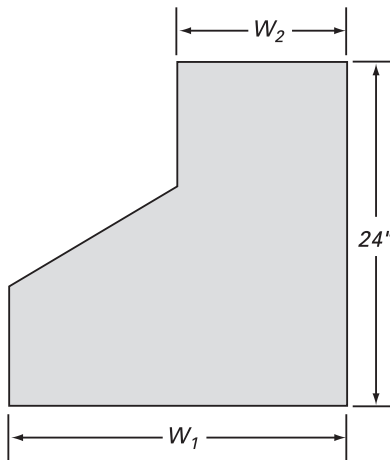
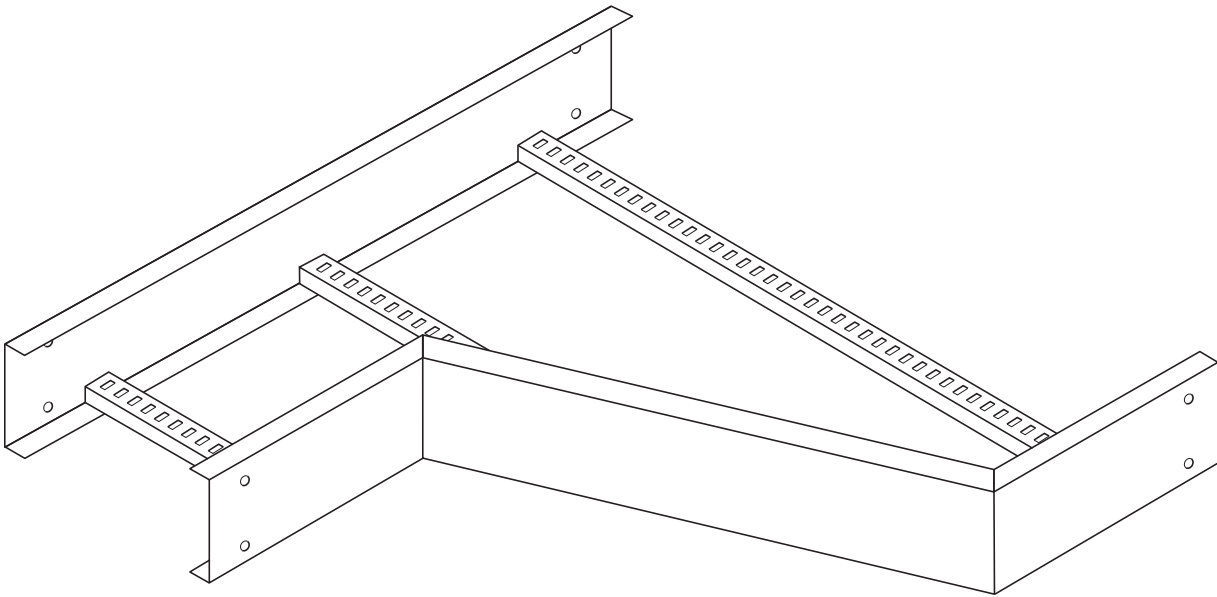
Horizontal Reducers - Left

Example Part No.: O1-H4F-24/12-LR-MS



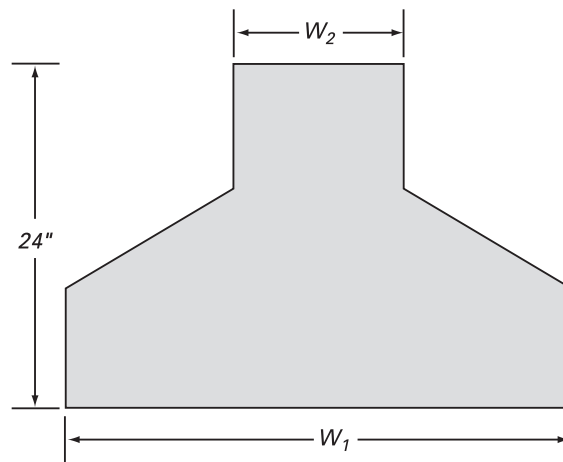
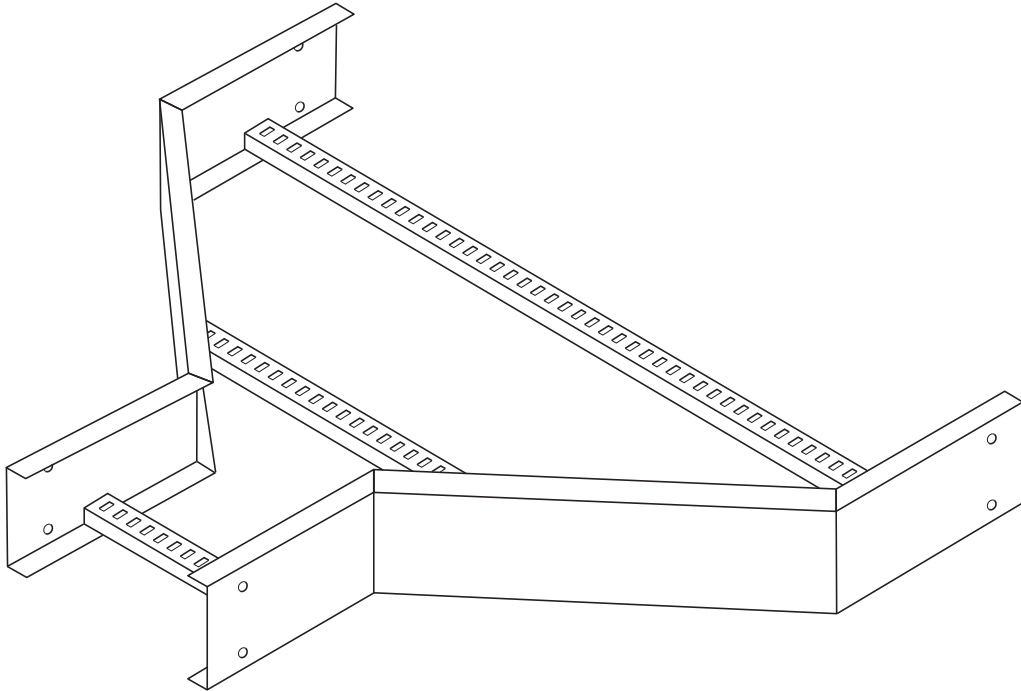
Horizontal Reducers - Right

Example Part No.: O1-H4F-24/12-RR-MS



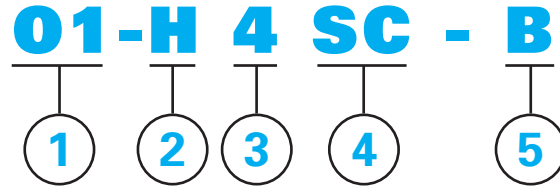
Horizontal Reducers - Straight

Example Part No.: O1-H4F-24/12-SR-MS

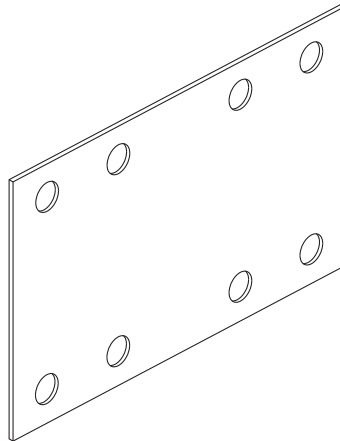


I-Beam Straight Section Splice Plate Part Numbering System

Example Part No.: O1-H4SC-B



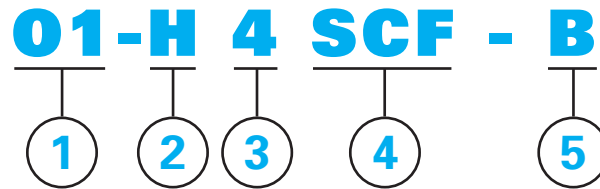
- | | |
|---|---|
| <p>1 Product Code
O1 Ocean-1</p> | <p>4 Accessory Type
SC Splice Connector</p> |
| <p>2 Material/Finish
H Hot Dipped Galvanized
S6 316 Stainless Steel</p> | <p>5 Side Rail Type
B I-Beam</p> |
| <p>3 Side Rail Height
4 = 4"
5 = 5"
6 = 6"
7 = 7"</p> | |



Note:

1. Sold in pairs
2. Includes Hardware

I-Beam Fitting Splice Plate Part Numbering System Example Part No.: O1-H4SCF-B



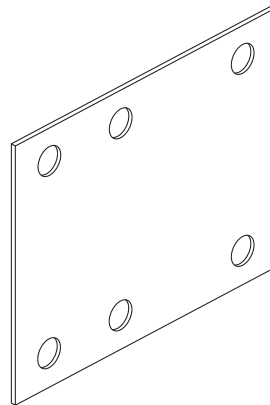
1 **Product Code**
O1 Ocean-1

2 **Material/Finish**
H Hot Dipped Galvanized
S6 316 Stainless Steel

3 **Side Rail Height**
4 = 4"
5 = 5"
6 = 6"
7 = 7"

4 **Accessory Type**
SCF Splice Connector Fitting

5 **Side Rail Type**
B I-Beam

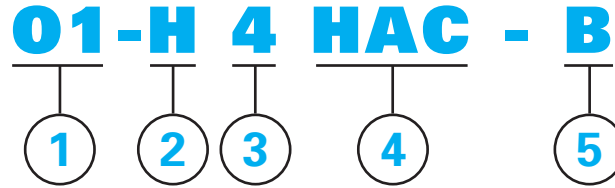


Note:

1. Sold in pairs
2. Includes Hardware

I-Beam Horizontal Adjustable Splice Plate Part Numbering System

Example Part No.: **O1-H4HAC-B**

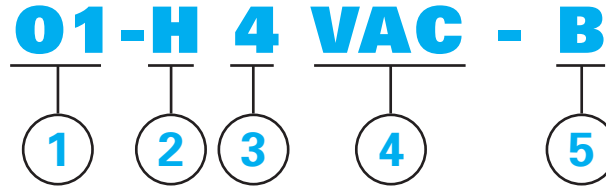


- 1 Product Code**
O1 Ocean-1
- 2 Material/Finish**
 - P Pre-Galvanized
 - H Hot Dipped Galvanized
 - S6 316 Stainless Steel
- 3 Side Rail Height**
 - 4 = 4"
 - 5 = 5"
 - 6 = 6"
 - 7 = 7"
- 4 Accessory Type**
HAC Horizontal Adjustable Connector
- 5 Side Rail Type**
B I-Beam

Note:

- 1. Sold in pairs
- 2. Includes Hardware

I-Beam Vertical Adjustable Splice Plate Part Numbering System Example Part No.: O1-H4VAC-B



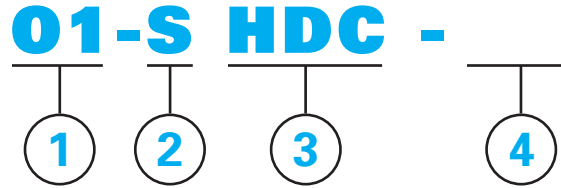
- 1 Product Code**
O1 Ocean-1
- 2 Material/Finish**
P Pre-Galvanized
H Hot Dipped Galvanized
S6 316 Stainless Steel
- 3 Side Rail Height**
4 = 4"
5 = 5"
6 = 6"
7 = 7"
- 4 Accessory Type**
VAC Vertical Adjustable Connector
- 5 Side Rail Type**
B I-Beam

Note:

- 1. Sold in pairs
- 2. Includes Hardware

I-Beam Hold Down Clamp Part Numbering System

Example Part No.: O1-SHDC

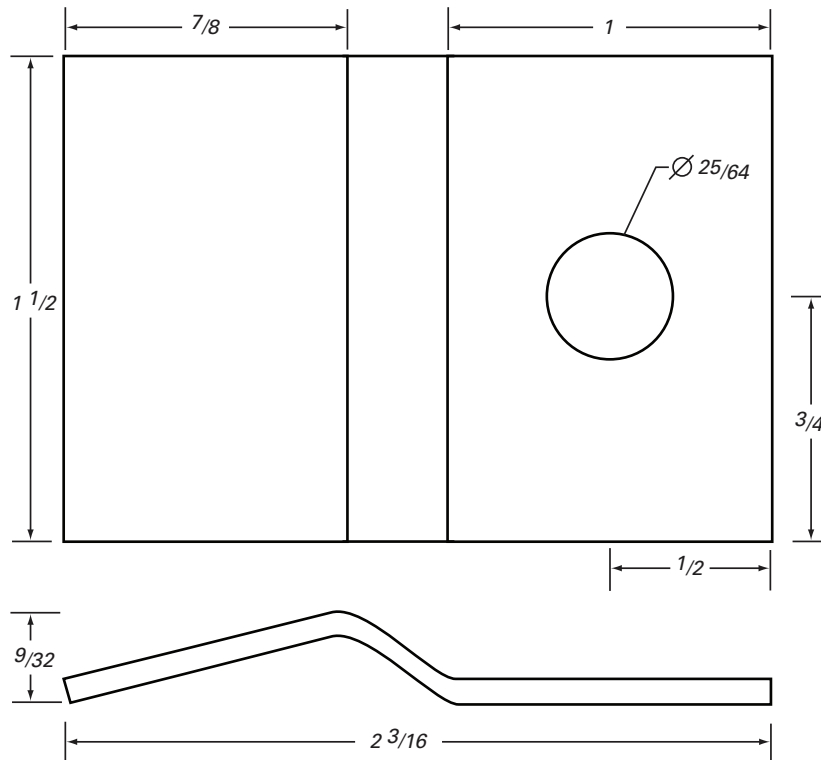


1 Product Code
O1 Ocean-1

3 Accessory Type
HDC Hold Down Clamp

2 Material/Finish
P Pre-Galvanized
S 316 Stainless Steel

4 Kit
KT Kit
(Add KT for kit which includes 3/8" hardware; flat washer, spring nut & hex bolt)



Note:
1. Sold each

LIMITED WARRANTY; LIMITATION OF LIABILITY

OCEAN-1 WARRANTS THAT THE PRODUCTS TO BE SUPPLIED HEREUNDER ARE MANUFACTURED IN ACCORDANCE WITH MANUFACTURER'S APPLICABLE MATERIAL SPECIFICATIONS AND ARE FREE FROM DEFECTS IN MATERIALS AND WORKMANSHIP USING MANUFACTURER'S SPECIFICATIONS AS A STANDARD. ONLY SUCH PRODUCTS INSTALLED AND USED IN ACCORDANCE WITH APPLICABLE MANUFACTURER'S INSTRUCTIONS AND SPECIFICATIONS ARE IN ANY WAY WARRANTED BY OCEAN-1 OR MANUFACTURER. ALL OTHER CLAIMS ARE WAIVED. THIS LIMITED WARRANTY IS THE EXCLUSIVE REMEDY AND WARRANTY FROM OCEAN-1 AND THE MANUFACTURER. CUSTOMER AGREES NOT TO LOOK TO OCEAN-1 FOR ANY REMEDY IN CONNECTION WITH PRODUCTS NOT MANUFACTURED BY OCEAN-1, PROVIDED THAT OCEAN-1 HEREBY ASSIGNS TO CUSTOMER ALL MANUFACTURER'S WARRANTIES WITH RESPECT TO SUCH PRODUCTS, TO THE EXTENT ASSIGNABLE. THE PRODUCTS TO BE SUPPLIED HEREUNDER ARE NOT SOLD WITH ANY WARRANTIES, EXPRESS OR IMPLIED, INCLUDING ANY WARRANTY OF MERCHANTABILITY OR WARRANTY OF FITNESS FOR A PARTICULAR PURPOSE, WHICH IMPLIED WARRANTIES ARE SPECIFICALLY DISCLAIMED. THIS LIMITED WARRANTY IS CUSTOMER'S SOLE AND EXCLUSIVE REMEDY. IT IS EXPRESSLY UNDERSTOOD AND AGREED THAT THE LIMIT OF OCEAN-1'S LIABILITY WITH RESPECT TO PRODUCTS SUPPLIED BY OCEAN-1 WILL BE, AT OCEAN-1'S OPTION, REPAIR OF THE DEFECTIVE PRODUCT OR RE-SUPPLY OF A LIKE QUANTITY OF NON-DEFECTIVE PRODUCT, AND SUPPLIER SHALL NOT BE LIABLE FOR ANY DAMAGES WHICH ARE BASED UPON ALLEGED NEGLIGENCE, BREACH OF WARRANTY, STRICT LIABILITY OR ANY OTHER THEORY OTHER THAN THE LIMITED WARRANTY SET FORTH ABOVE. CUSTOMER WILL BE RESPONSIBLE FOR ALL LABOR AND SERVICE CHARGES THAT MAY BE INCURRED WITH RESPECT TO EITHER THE ORIGINAL OR REPLACEMENT PRODUCT. IN NO EVENT WILL OCEAN-1 OR MANUFACTURER BE LIABLE FOR ANY INCIDENTAL OR CONSEQUENTIAL DAMAGES.



11750 Clay Road · Houston, TX 77043
sales@ocean-1.com · www.ocean-1.com
713.460.0649

©2023 OCEAN-1 MARINE PRODUCTS, LTD.